

**CHICAGO FAUCETS**  
a Geberit company

2100 South Clearwater Drive  
Des Plaines, IL 60018  
Phone: 847-803-5000  
Fax: 847-803-5454  
www.chicagofaucets.com

**REPAIR PARTS**

BY: SID DATE: 05-14-09  
CHK: *[Signature]* REV:

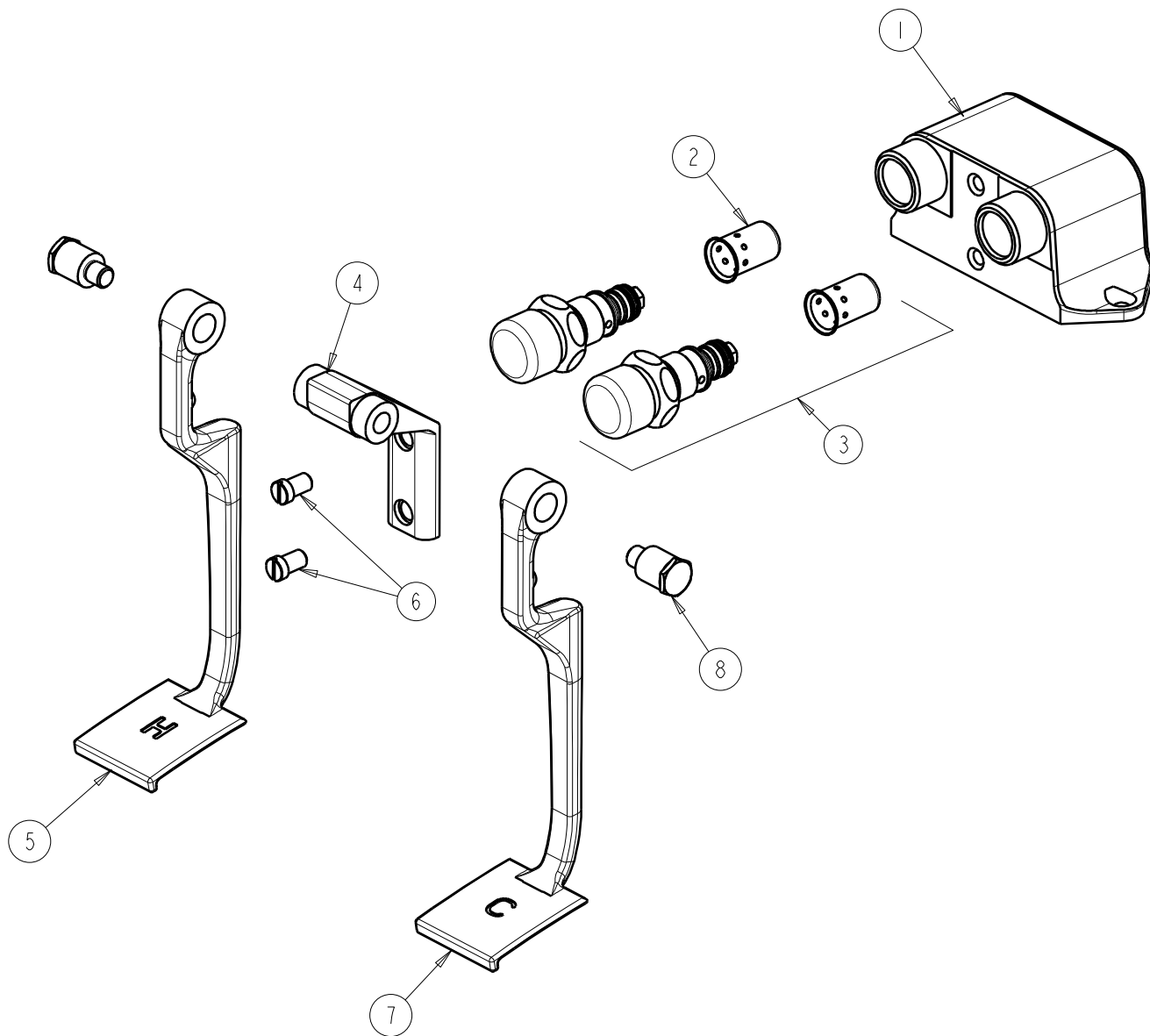
FITTING NO.

**625-LPABCP**

SUBMITTED MODEL NO.

ITEM NO.

**FOR TECHNICAL ASSISTANCE**  
1-800-TEC-TRUE (1-800-832-8783)



ITEM	PART NO.	DESCRIPTION
1	---	VALVE BODY (NOT SOLD SEPARATELY)
2	333-075JKNF	DASHPOT
3	AB628-XJKNF	FOR PARTS SEE AB628-XJKNF
4	625-060JKCP	BRACKET
5	625-059JKNF	PEDAL, HOT
6	625-006JKBNF	SCREW, PAN HEAD 5/16-18 UNC
7	625-159JKNF	PEDAL, COLD
8	625-061JKRCF	BOLT, SHOULDER 3/8-24 UNF X 5/8 HEX