

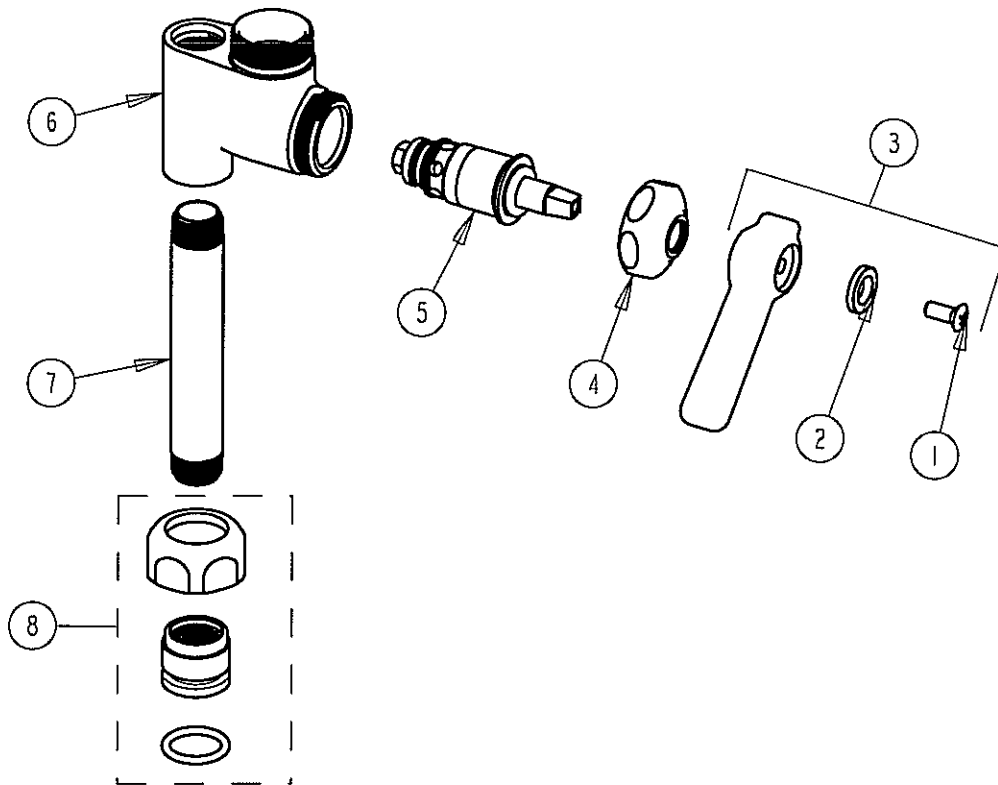
PARTS LIST

BY: SID
CHK'D: DT

CHICAGO FAUCETS
Last As Long As The Building

FINISH: AS SPECIFIED
DATE: 10-03-02

613-ALESSSPT



NOTE:

ITEMS 7 IS ADHESIVED TO
ITEM 6 AT THE FACTORY BUT
IS AVAILABLE AS A 'JK' PART.

ITEM NO.	PART NO.	DESCRIPTION
1	420-010	SCREW
2	633-223	INDEX BUTTON (WHITE)
3	369-PL	PLAIN LEVER HANDLE
4	1-214	CAP
5	1-099XT	QUATURN UNIT (RH)
6	-----	VALVE BODY (NOT SOLD SEPERATELY)
7	906-002	NIPPLE (3/8" X 4")
8	143-PP	PRE-PACK