

CHICAGO FAUCETS
a Geberit company

2100 South Clearwater Drive
Des Plaines, IL 60018
Phone: 847-803-5000
Fax: 847-803-5454
www.chicagofaucets.com

REPAIR PARTS

FITTING NO.

50-TE35ABCP

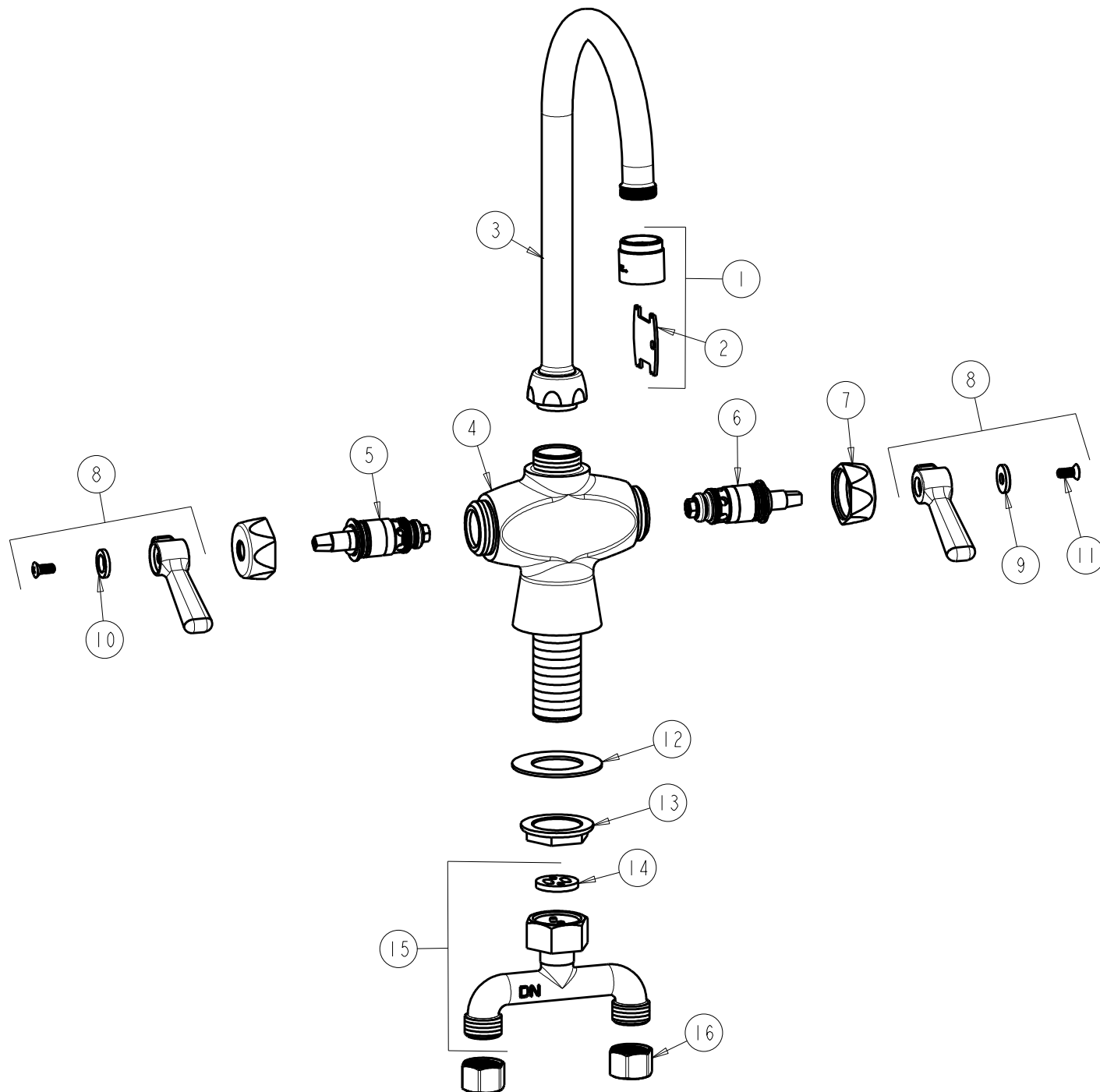
SUBMITTED MODEL NO.

ITEM NO.

FOR TECHNICAL ASSISTANCE
1-800-TEC-TRUE (1-800-832-8783)

BY: SID DATE: 06-04-12

CHK: *[Signature]* REV:



ITEM	PART NO.	DESCRIPTION	ITEM	PART NO.	DESCRIPTION
1	E35VPJKCP	SOFTFLO AERATOR 1.5GPM VR	9	633-123JKNF	INDEX BUTTON (BLUE)
2	3-024JKRCF	KEY, VP	10	633-023JKNF	INDEX BUTTON (RED)
3	GN2AJKABCP	GN SPOUT PLAIN END	11	420-010JKRCF	SCREW, 10-32 UNC PH 1/2
4	---	VALVE BODY (NOT SOLD SEPARATELY)	12	50-014JKNF	STEEL WASHER
5	1-100XTJKABNF	QUATURN CARTRIDGE (LH)	13	50-003JKRBF	LOCKNUT
6	1-099XTJKABNF	QUATURN CARTRIDGE (RH)	14	50-008JKNF	RUBBER WASHER
7	444-005JKCP	CAP	15	50-010JKRBF	TEE CONNECTION ASSEMBLY
8	369-PRJKCP	LEVER HANDLE ASSEMBLY (PAIR)	16	49-005JKRBF	COUPLING NUT