

CHICAGO FAUCETS
a Geberit company

2100 South Clearwater Drive
Des Plaines, IL 60018
Phone: 847-803-5000
Fax: 847-803-5454
www.chicagofaucets.com

REPAIR PARTS

FITTING NO.

50-TABCP

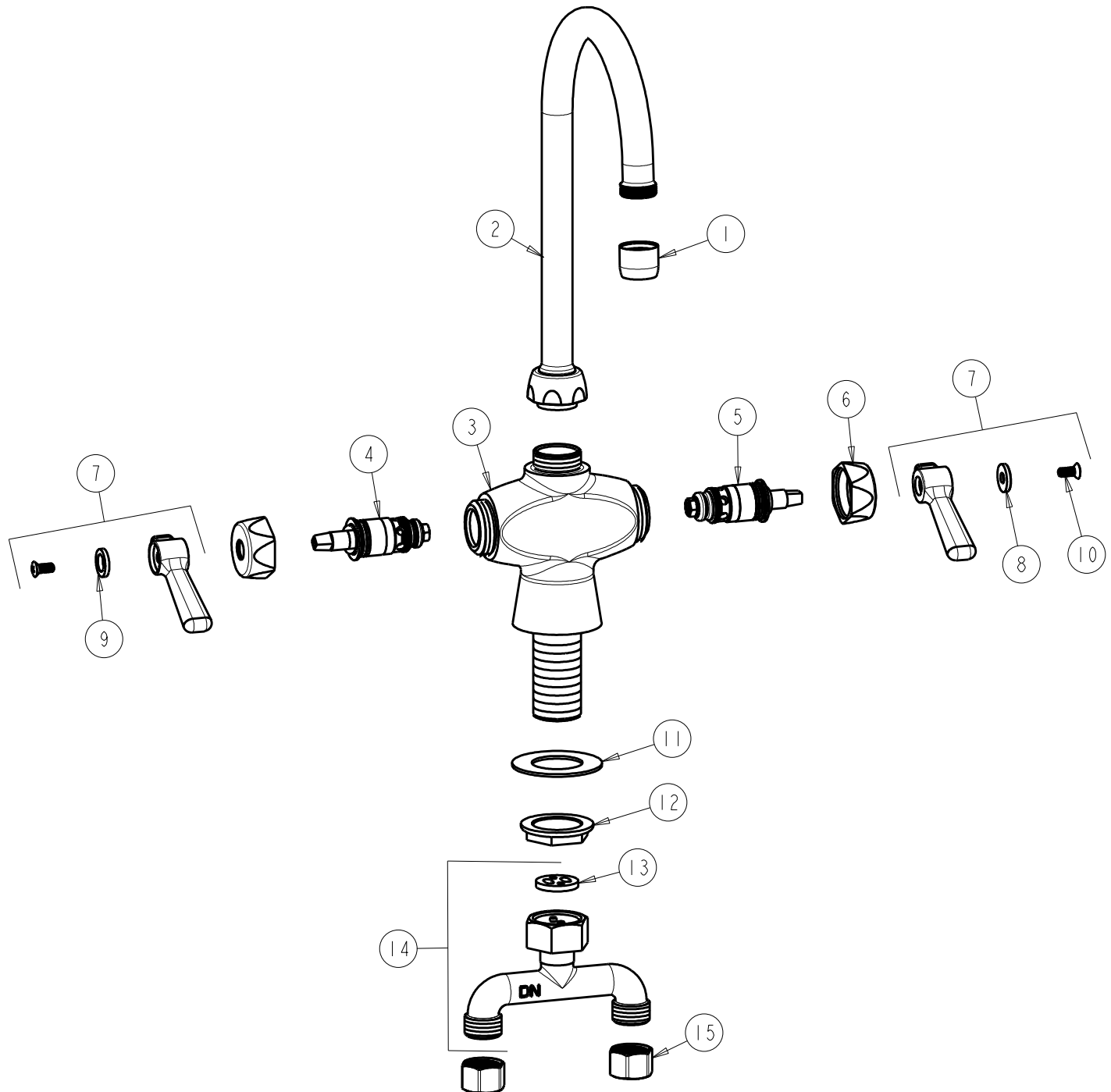
SUBMITTED MODEL NO.

ITEM NO.

FOR TECHNICAL ASSISTANCE
1-800-TEC-TRUE (1-800-832-8783)

BY: SID DATE: 06-04-12

CHK: *[Signature]* REV:



| ITEM | PART NO. | DESCRIPTION | ITEM | PART NO. | DESCRIPTION |
|------|---------------|----------------------------------|------|--------------|-------------------------|
| 1 | E3JKCP | SOFTFLO AERATOR 2.2 GPM | 9 | 633-023JKNF | INDEX BUTTON (RED) |
| 2 | GN2AJKABCP | GN SPOUT PLAIN END | 10 | 420-010JKRCF | SCREW, 10-32 UNC PH 1/2 |
| 3 | ----- | VALVE BODY (NOT SOLD SEPARATELY) | 11 | 50-014JKNF | STEEL WASHER |
| 4 | 1-100XTJKABNF | QUATURN CARTRIDGE (LH) | 12 | 50-003JKRBF | LOCKNUT |
| 5 | 1-099XTJKABNF | QUATURN CARTRIDGE (RH) | 13 | 50-008JKNF | RUBBER WASHER |
| 6 | 444-005JKCP | CAP | 14 | 50-010JKRBF | TEE CONNECTION ASSEMBLY |
| 7 | 369-PRJKCP | LEVER HANDLE ASSEMBLY (PAIR) | 15 | 49-005JKRBF | COUPLING NUT |
| 8 | 633-123JKNF | INDEX BUTTON (BLUE) | | | |