

CHICAGO FAUCETS
a Geberit company

2100 South Clearwater Drive
Des Plaines, IL 60018
Phone: 847-803-5000
Fax: 847-803-5454
www.chicagofaucets.com

REPAIR PARTS

FITTING NO.

50-ABCP

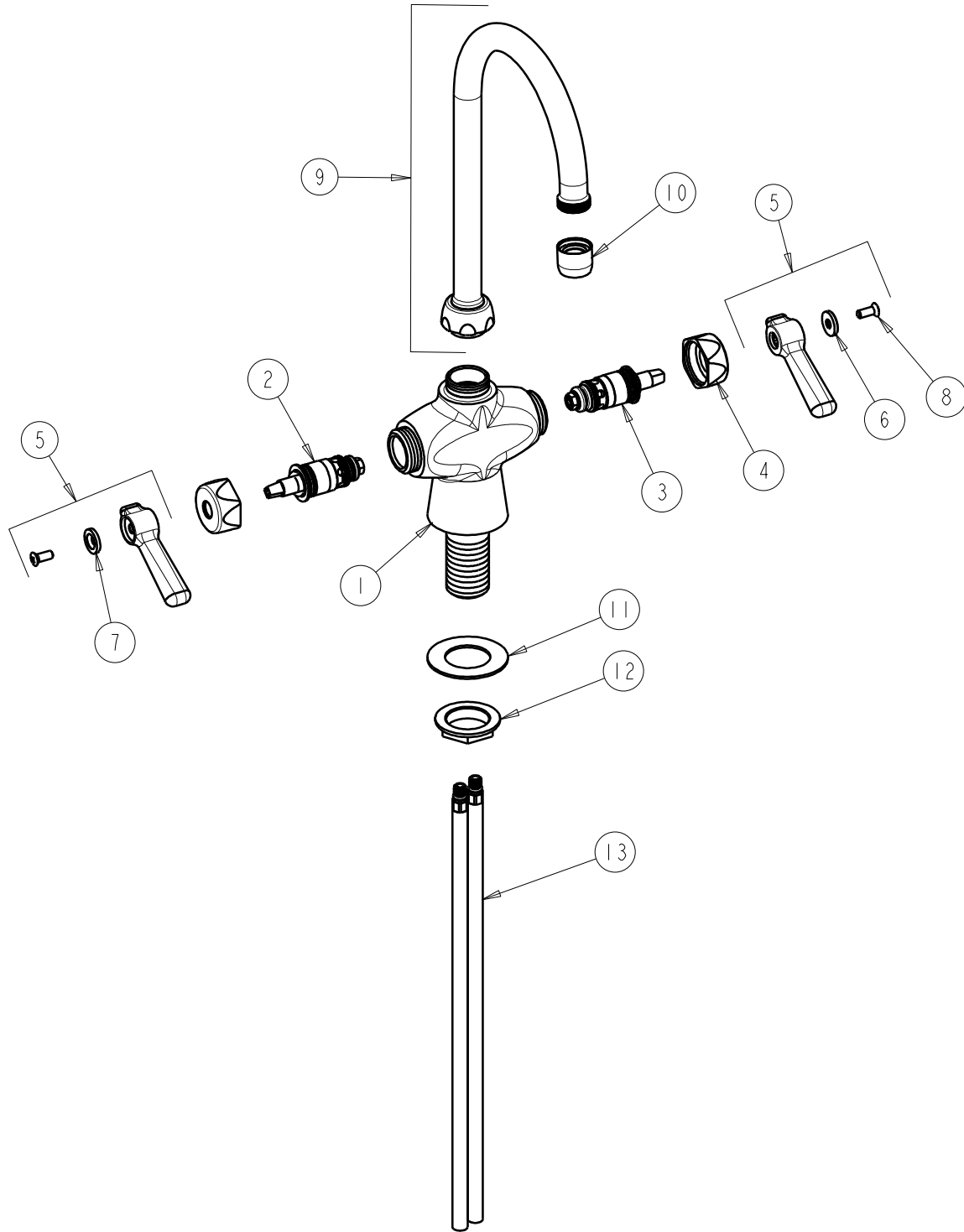
SUBMITTED MODEL NO.

ITEM NO.

FOR TECHNICAL ASSISTANCE
1-800-TEC-TRUE (1-800-832-8783)

BY: SID DATE: 10-27-08

CHK: *[Signature]* REV:



ITEM	PART NO.	DESCRIPTION	ITEM	PART NO.	DESCRIPTION
1	----	VALVE BODY (NOT SOLD SEPARATELY)	8	420-010JKRCF	SCREW, 10-32 UNC PH 1/2
2	AB1-100XTJKNF	QUATURN UNIT (LH)	9	GN2AE3JKCP	FOR PARTS SEE GN2AE3JKCP
3	AB1-099XTJKNF	QUATURN UNIT (RH)	10	E3JKCP	SOFTFLO OUTLET
4	444-005JKCP	CAP	11	50-014JKNF	STEEL WASHER
5	369-PRJKCP	LEVER HANDLE ASSEMBLY (PAIR)	12	50-003JKRBF	LOCKNUT
6	633-123JKNF	INDEX BUTTON (BLUE)	13	50-101KJKNF	SUPPLY TUBE ASSEMBLY
7	633-023JKNF	INDEX BUTTON (RED)			