



a Geberit company

2100 South Clearwater Drive
Des Plaines, IL 60018
Phone: 847-803-5000
Fax: 847-803-5454
www.chicagofaucets.com

FOR TECHNICAL ASSISTANCE
1-800-TEC-TRUE (1-800-832-8783)

REPAIR PARTS

BY: JAR DATE: 01-09-13

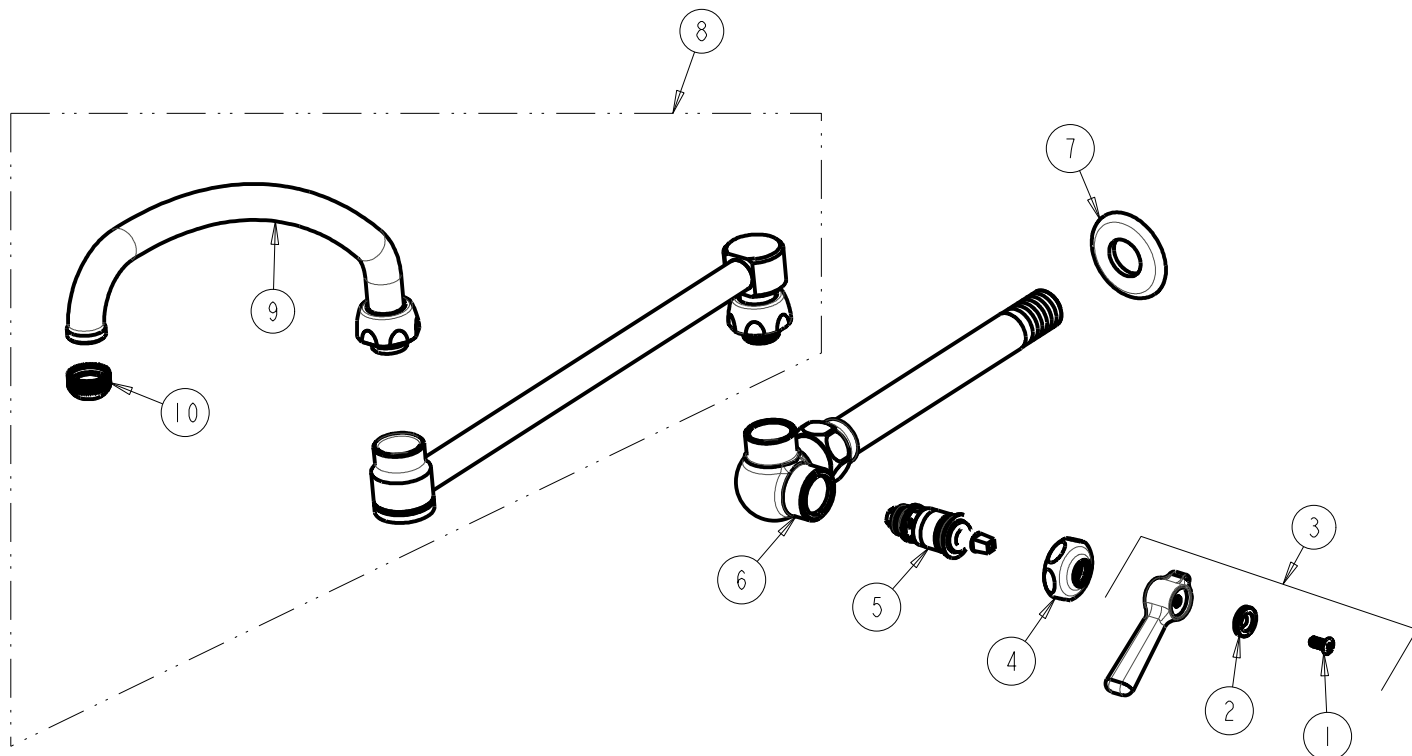
CHK: *JAR* REV:

FITTING NO.

334-DJ21ABCP

SUBMITTED MODEL NO.

ITEM NO.



ITEM	PART NO.	DESCRIPTION
1	420-010JKRCF	SCREW, 10-32 UNC PH 1/2
2	633-123JKNF	INDEX BUTTON (BLUE)
3	369-COLDJKCP	LEVER HANDLE ASSEMBLY
4	1-214JKCP	CAP
5	1-099XTJKABNF	QUATURN CARTRIDGE (RH)
6	-----	WALL MNTD WOK FILLER ASSEMBLY
7	722-006JKCP	FLANGE
8	DJ21JKABCP	SPOUT
9	L9LESSE3JKCP	TUBE SPOUT ASSEMBLY
10	E1JKABRCF	QUIXTOP OUTLET