

CHICAGO FAUCETS
a Geberit company

2100 South Clearwater Drive
Des Plaines, IL 60018
Phone: 847-803-5000
Fax: 847-803-5454
www.chicagofaucets.com

REPAIR PARTS

BY: JAR DATE: 10-18-11
CHK: *[Signature]* REV:

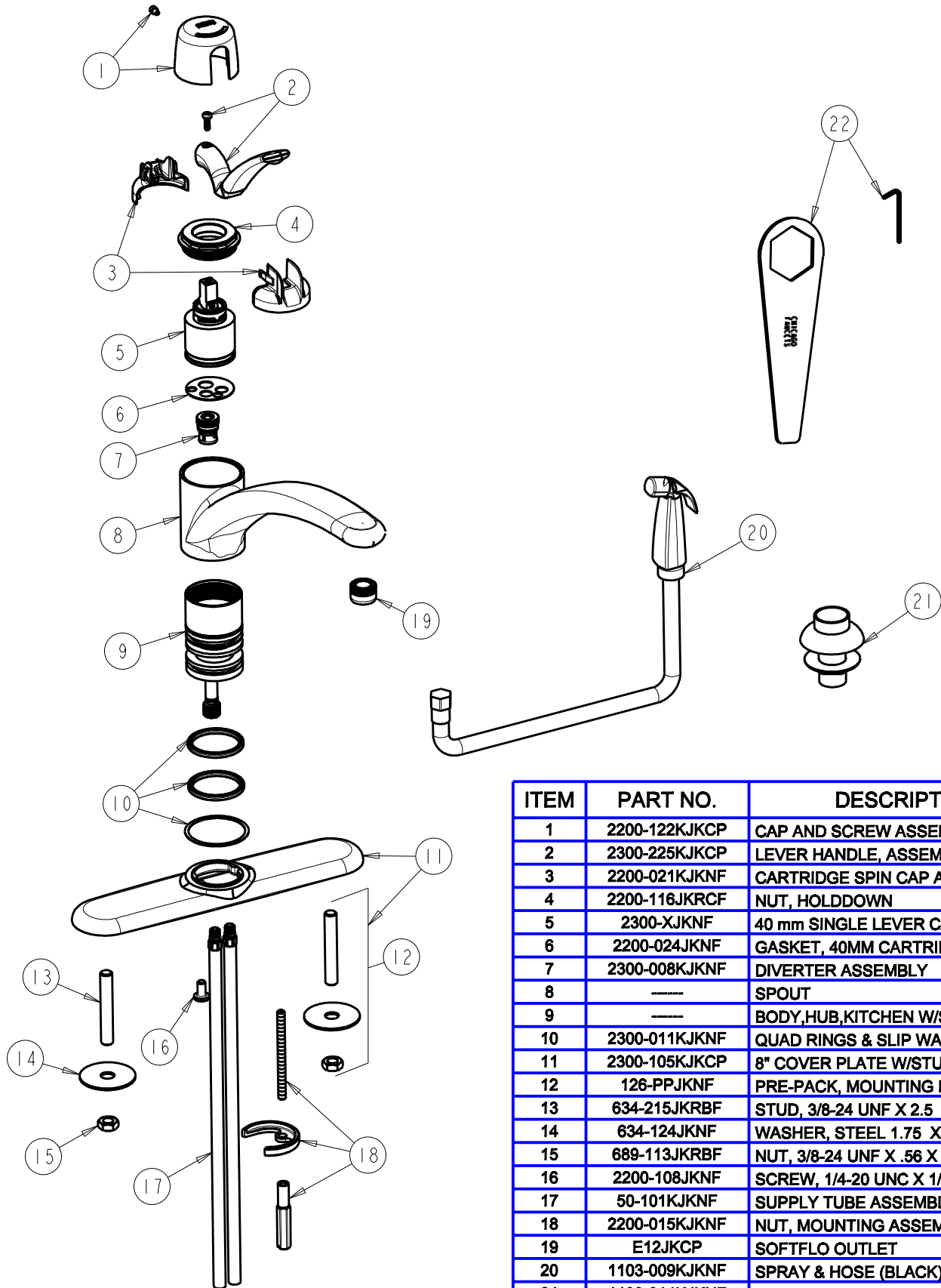
FITTING NO.

2301-8ABCP

SUBMITTED MODEL NO.

ITEM NO.

FOR TECHNICAL ASSISTANCE
1-800-TEC-TRUE (1-800-832-8783)



ITEM	PART NO.	DESCRIPTION
1	2200-122KJKCP	CAP AND SCREW ASSEMBLY
2	2300-225KJKCP	LEVER HANDLE, ASSEMBLY
3	2200-021KJKNF	CARTRIDGE SPIN CAP ASSEMBLY
4	2200-116JKRCF	NUT, HOLDDOWN
5	2300-XJKNF	40 mm SINGLE LEVER CARTRIDGE
6	2200-024JKNF	GASKET, 40MM CARTRIDGE
7	2300-008KJKNF	DIVERTER ASSEMBLY
8	----	SPOUT
9	----	BODY,HUB,KITCHEN W/SPRAY
10	2300-011KJKNF	QUAD RINGS & SLIP WASHER
11	2300-105KJKCP	8" COVER PLATE W/STUD MOUNT
12	126-PPJKNF	PRE-PACK, MOUNTING HARDWARE
13	634-215JKRBF	STUD, 3/8-24 UNF X 2.5
14	634-124JKNF	WASHER, STEEL 1.75 X .43 X .06
15	689-113JKRBF	NUT, 3/8-24 UNF X .56 X .22
16	2200-108JKNF	SCREW, 1/4-20 UNC X 1/2 PHMS, 1
17	50-101KJKNF	SUPPLY TUBE ASSEMBLY
18	2200-015KJKNF	NUT, MOUNTING ASSEMBLY
19	E12JKCP	SOFTFLO OUTLET
20	1103-009KJKNF	SPRAY & HOSE (BLACK)
21	1103-014KJKNF	FLANGE ASSEMBLY (BLACK)
22	2200-002KJKNF	WRENCH & HEX KEY