

CHICAGO FAUCETS 

a Geberit company

2100 South Clearwater Drive
Des Plaines, IL 60018
Phone: 847-803-5000
Fax: 847-803-5454
www.chicagofaucets.com

REPAIR PARTS

BY: SID DATE: 02-18-10
CHK: REV: 07-15-11

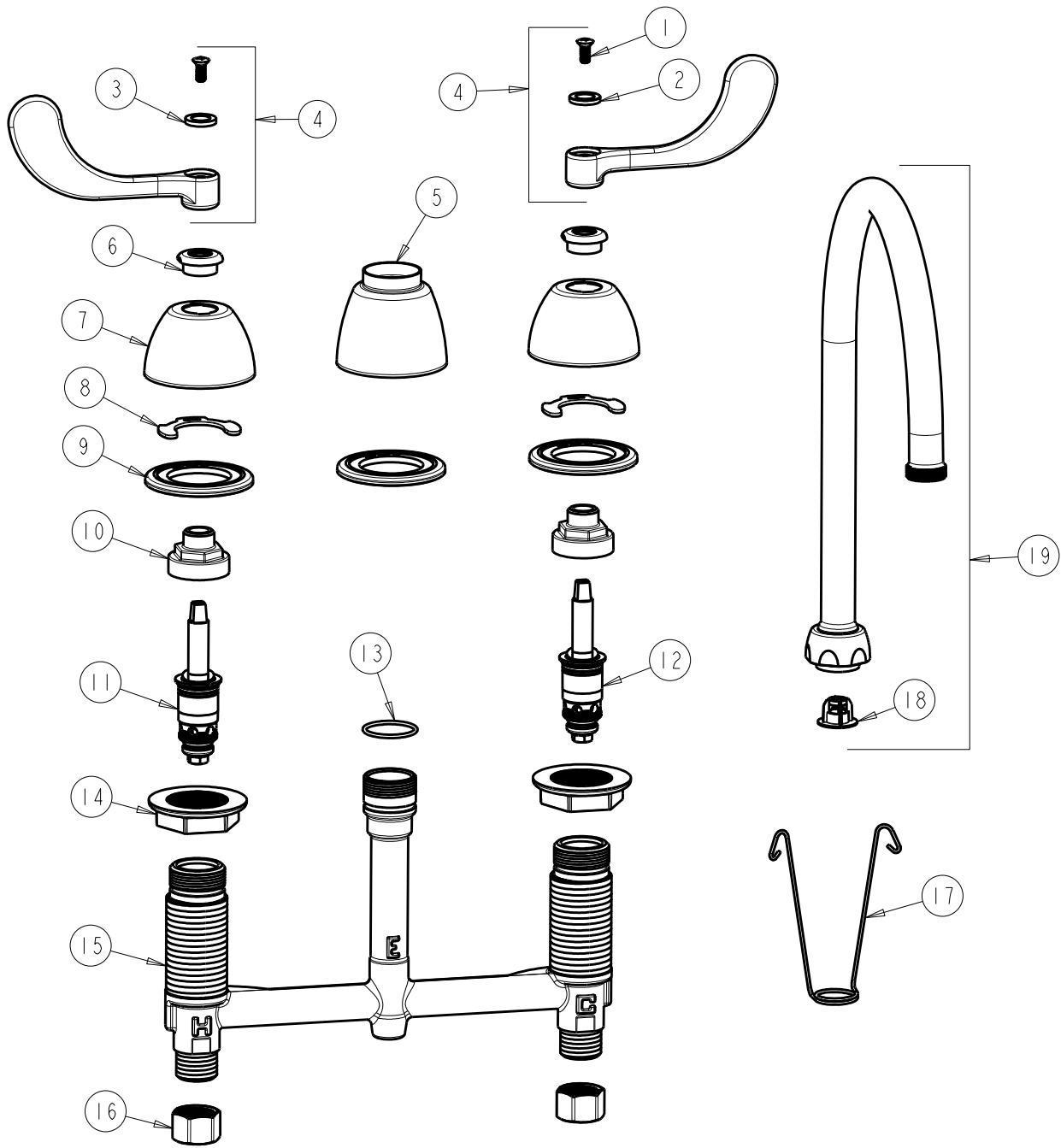
FITTING NO.

201-AGN8AFC317ABCP

SUBMITTED MODEL NO.

ITEM NO.

FOR TECHNICAL ASSISTANCE
1-800-TEC-TRUE (1-800-832-8783)



ITEM	PART NO.	DESCRIPTION	ITEM	PART NO.	DESCRIPTION
1	420-010JKRCF	SCREW, 10-32 UNC PH 1/2	11	377-XTLHJKABNF	LH QUATURN CARTRIDGE
2	633-123JKNF	INDEX BUTTON (BLUE)	12	377-XTRHJKABNF	RH QUATURN CARTRIDGE
3	633-023JKNF	INDEX BUTTON (RED)	13	786-002JKNF	O-RING
4	317-PRJKCP	HANDLE, 4" WRISTBLADE (PAIR)	14	250-004JKNF	LOCKNUT
5	785-400JKCP	ESCUTCHEON, SPOUT BASE	15	—	BODY, VALVE
6	422-113JKCP	ESCUTCHEON NUT	16	49-005JKRBF	COUPLING NUT
7	250-082JKCP	ESCUTCHEON	17	200-008JKNF	HANGER
8	200-009JKNF	CLIP, RETAIN	18	50-043KJKNF	FLOW CONTROL 1.5 GPM
9	888-026JKNF	WASHER, SEALING	19	GN8AFCJKCP	FOR PARTS SEE GN8AFCJKCP
10	274-014JKRBF	NUT, CAP			