



a Geberit company

2100 South Clearwater Drive
Des Plaines, IL 60018
Phone: 847-803-5000
Fax: 847-803-5454
www.chicagofaucets.com

REPAIR PARTS

BY: PT DATE: 08-25-10

CHK: REV:

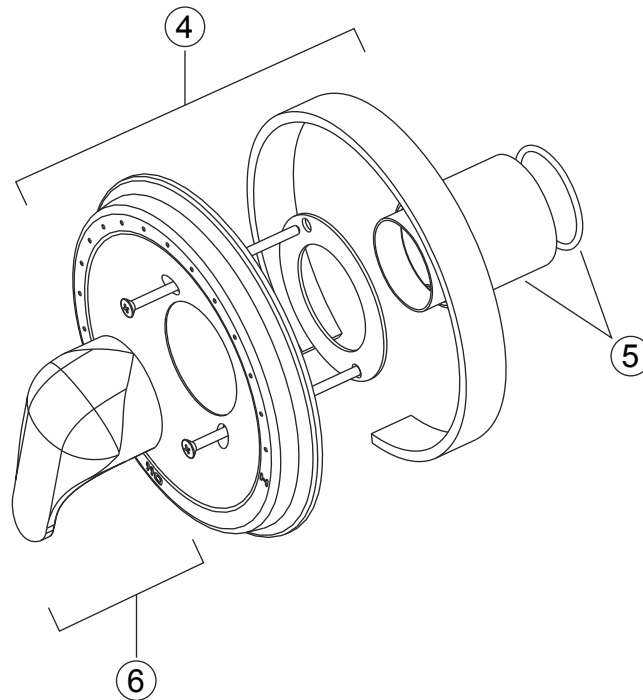
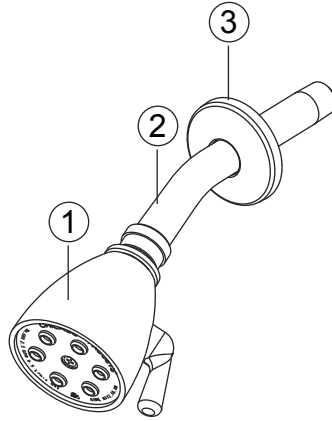
FITTING NO.

1907-TK600CP

SUBMITTED MODEL NO.

ITEM NO.

FOR TECHNICAL ASSISTANCE
1-800-TEC-TRUE (1-800-832-8783)



| NO. | PART NO. | DESCRIPTION |
|-----|--------------|------------------------------|
| 1 | 600-CP | FOR PARTS SEE 600 SHOWERHEAD |
| 2 | 415-021JKCP | SHOWER ARM |
| 3 | 749-016JKCP | WALL FLANGE |
| 4 | 1905-007JKCP | FACEPLATE KIT |
| 5 | 1905-009JKCP | SLEEVE KIT |
| 6 | 1905-008JKCP | HANDLE KIT |