

**CHICAGO FAUCETS** 

a Geberit company

2100 South Clearwater Drive  
Des Plaines, IL 60018  
Phone: 847-803-5000  
Fax: 847-803-5454  
www.chicagofaucets.com

# REPAIR PARTS

BY: PT DATE: 06-24-10

CHK: REV:

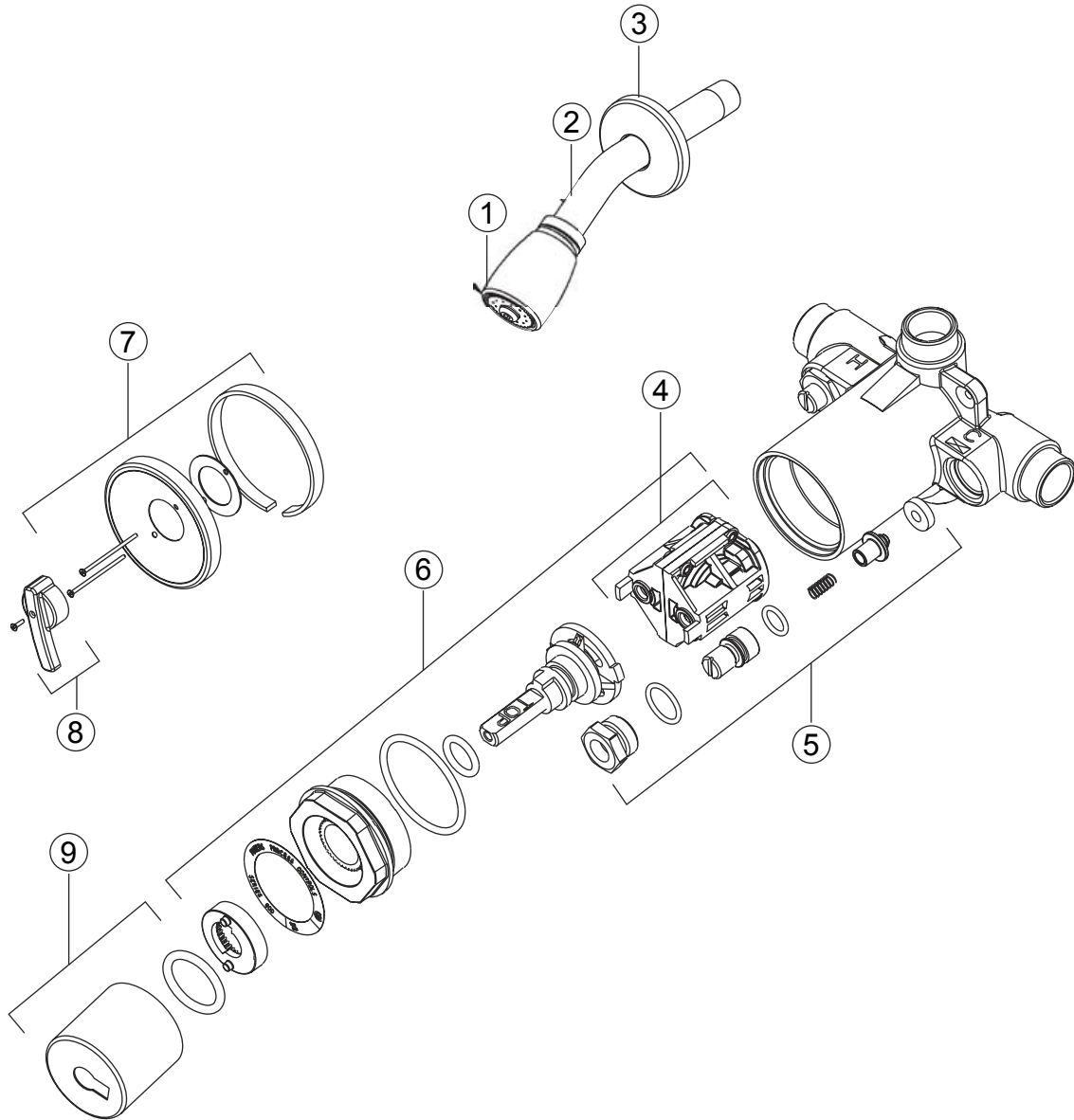
FITTING NO.

1902-CP

SUBMITTED MODEL NO.

ITEM NO.

**FOR TECHNICAL ASSISTANCE**  
1-800-TEC-TRUE (1-800-832-8783)



NO.	PART NO.	DESCRIPTION
1	620-CP	FOR PARTS SEE 620 SHOWERHEAD
2	415-021JKCP	SHOWER ARM
3	749-016JKCP	WALL FLANGE
4	1900-XJKNF	PB CARTRIDGE
5	1900-002JKNF	CHECK STOP REPAIR KIT
6	1900-006KJKNF	PB VALVE REBUILD KIT
7	1900-007JKCP	PB FACEPLATE KIT
8	1900-008KJKCP	PB HANDLE KIT
9	1900-009KJKCP	PB SLEEVE KIT