

**CHICAGO FAUCETS**  
a Geberit company

2100 South Clearwater Drive  
Des Plaines, IL 60018  
Phone: 847-803-5000  
Fax: 847-803-5454  
www.chicagofaucets.com

**REPAIR PARTS**

FITTING NO.

**116.975.AB.1**

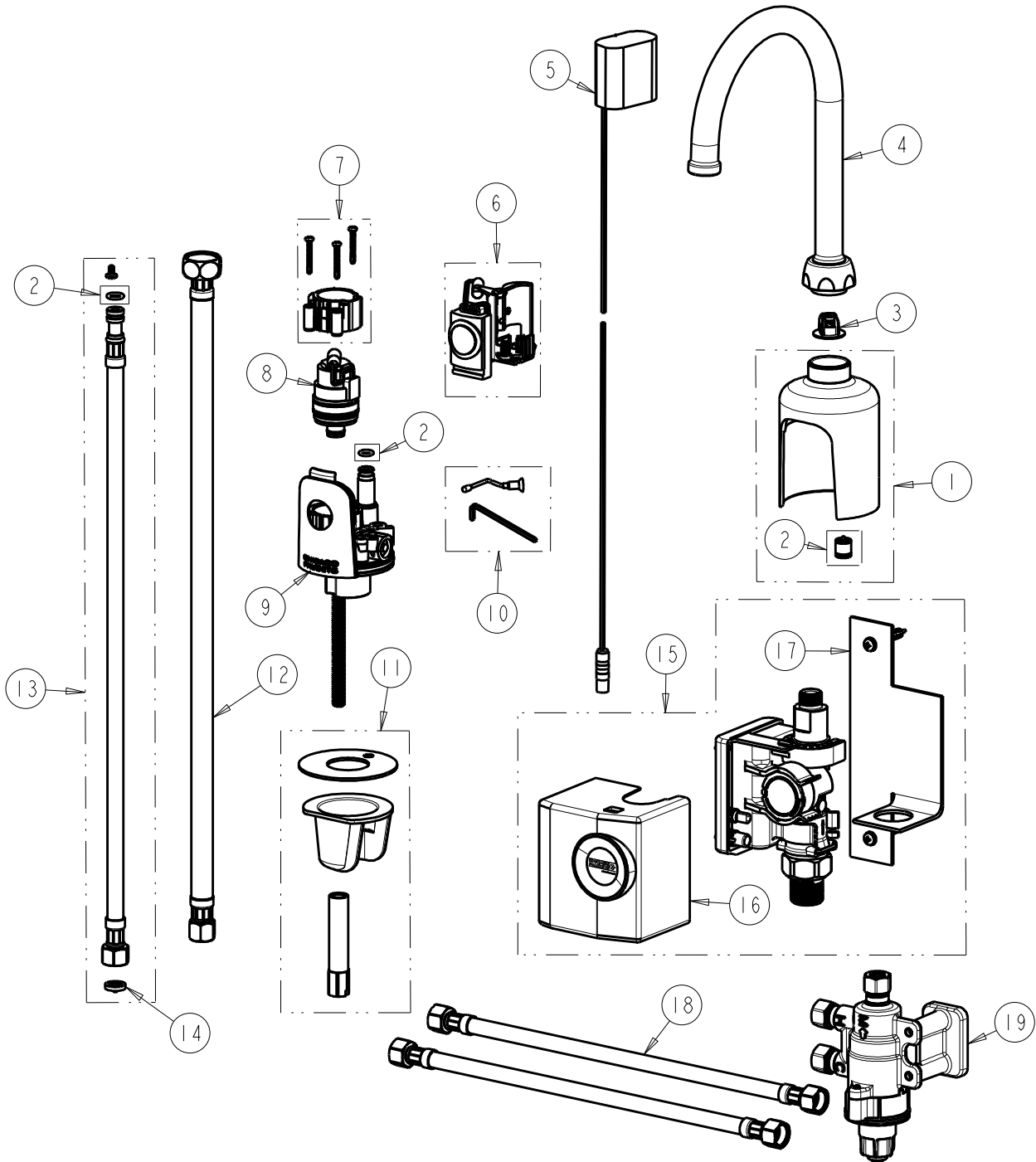
SUBMITTED MODEL NO.

ITEM NO.

**FOR TECHNICAL ASSISTANCE**  
1-800-TEC-TRUE (1-800-832-8783)

BY: JAR DATE: 02-24-12

CHK: *[Signature]* REV:



ITEM	PART NO.	DESCRIPTION	ITEM	PART NO.	DESCRIPTION
1	240.738.00.1	KIT, GOOSENECK BASE	11	240.745.00.1	KIT, DECK MOUNTING HARDWARE
2	241.653.00.1	KIT, CHECK VALVES & O-RINGS	12	---	HOSE, 1/2" IPS x 3/8" COM x 18" L
3	1020-034KJKNF	FLOW CONTROL 1.0 GPM	13	240.693.00.1	KIT, SS BRAIDED HOSE (QTY 1)
4	GN2H8JKCP	SPOUT, PLAIN END	14	3300-005JKNF	FILTER/SCREEN
5	242.568.00.1	GREEN POWER ADAPTER	15	242.749.00.1	GENERATOR, COMPLETE UNIT
6	242.574.00.1	KIT, MODULE TURBINE HYTRONIC	16	242.750.00.1	COVER, SSPS US
7	242.432.00.1	KIT, AB BONNET	17	242.751.00.1	KIT, WALL MOUNTING SSPS US
8	240.744.00.1	SOLENOID VALVE	18	---	HOSE, 3/8" COM x 3/8" COM x 12" L
9	---	BODY, NOT SOLD SEPARATELY	19	131-ABNF	THERMOSTATIC AB MIXING VALVE
10	240.753.00.1	SHUT-OFF SCREW ASSEMBLY			