

CHICAGO FAUCETS
a Geberit company

2100 South Clearwater Drive
Des Plaines, IL 60018
Phone: 847-803-5000
Fax: 847-803-5454
www.chicagofaucets.com

REPAIR PARTS

FITTING NO.

116.972.AB.1

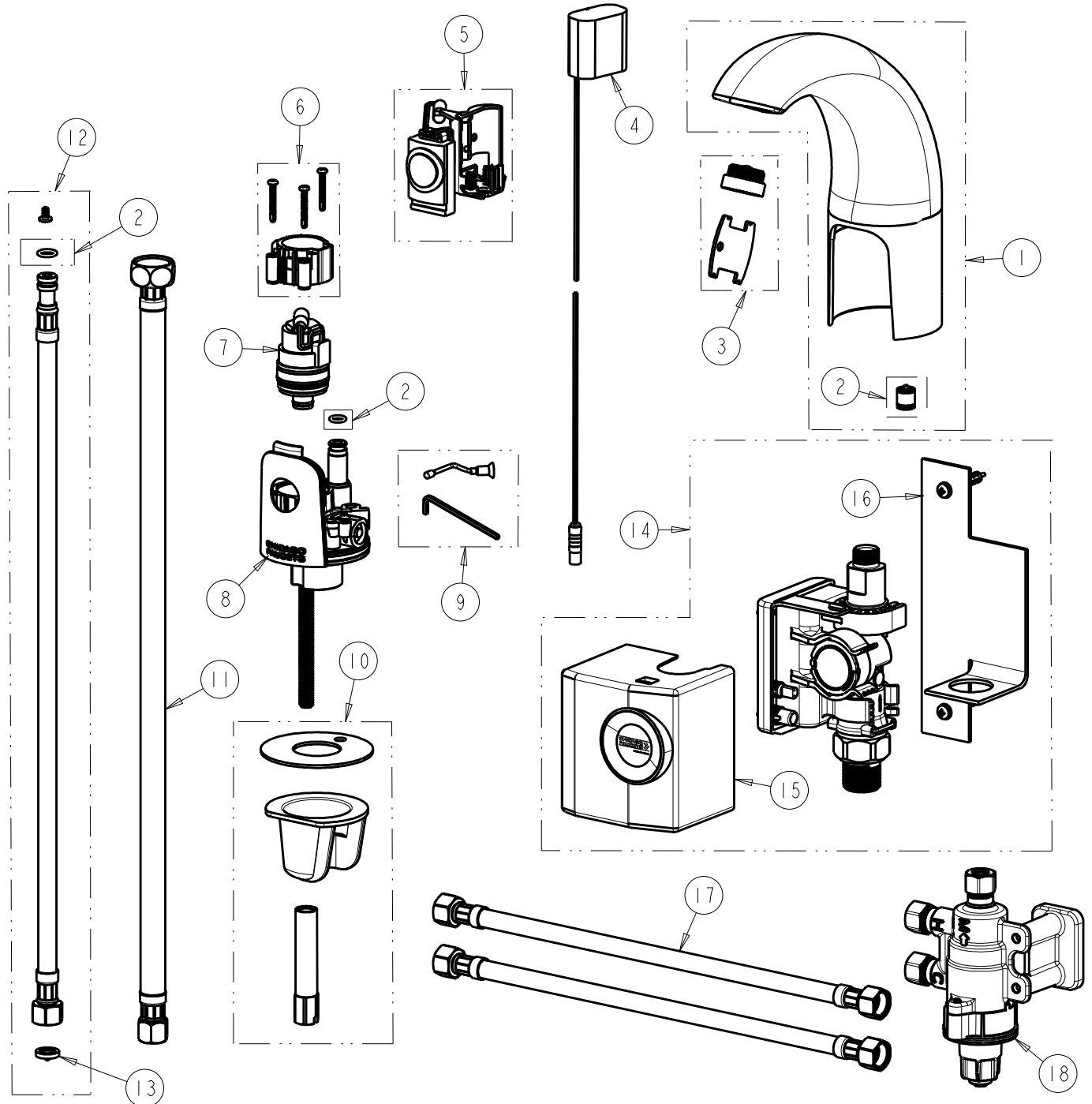
SUBMITTED MODEL NO.

ITEM NO.

FOR TECHNICAL ASSISTANCE
1-800-TEC-TRUE (1-800-832-8783)

BY: JAR DATE: 02-23-12

CHK: *[Signature]* REV:



ITEM	PART NO.	DESCRIPTION	ITEM	PART NO.	DESCRIPTION
1	240.729.00.1	KIT, CONTEMPORARY SPOUT	10	240.745.00.1	KIT, DECK MOUNTING HARDWARE
2	241.653.00.1	KIT, CHECK VALVES & O-RINGS	11	---	HOSE, 1/2" IPS x 3/8" COM x 18" L
3	E64VPJKCP	OUTLET, 1.0 GPM LAMINAR VP	12	240.693.00.1	KIT, SS BRAIDED HOSE (QTY 1)
4	242.568.00.1	GREEN POWER ADAPTER	13	3300-005JKNF	FILTER/SCREEN
5	242.574.00.1	KIT, MODULE TURBINE HYTRONIC	14	242.749.00.1	GENERATOR, COMPLETE UNIT
6	242.432.00.1	KIT, AB BONNET	15	242.750.00.1	COVER, SSPS US
7	240.744.00.1	SOLENOID VALVE	16	242.751.00.1	KIT, WALL MOUNTING SSPS US
8	---	BODY, NOT SOLD SEPARATELY	17	---	HOSE, 3/8" COM x 3/8" COM x 12" L
9	240.753.00.1	SHUT-OFF SCREW ASSEMBLY	18	131-ABNF	THERMOSTATIC AB MIXING VALVE