

CHICAGO FAUCETS
a Geberit company

2100 South Clearwater Drive
Des Plaines, IL 60018
Phone: 847-803-5000
Fax: 847-803-5454
www.chicagofaucets.com

REPAIR PARTS

FITTING NO.

116.970.AB.1

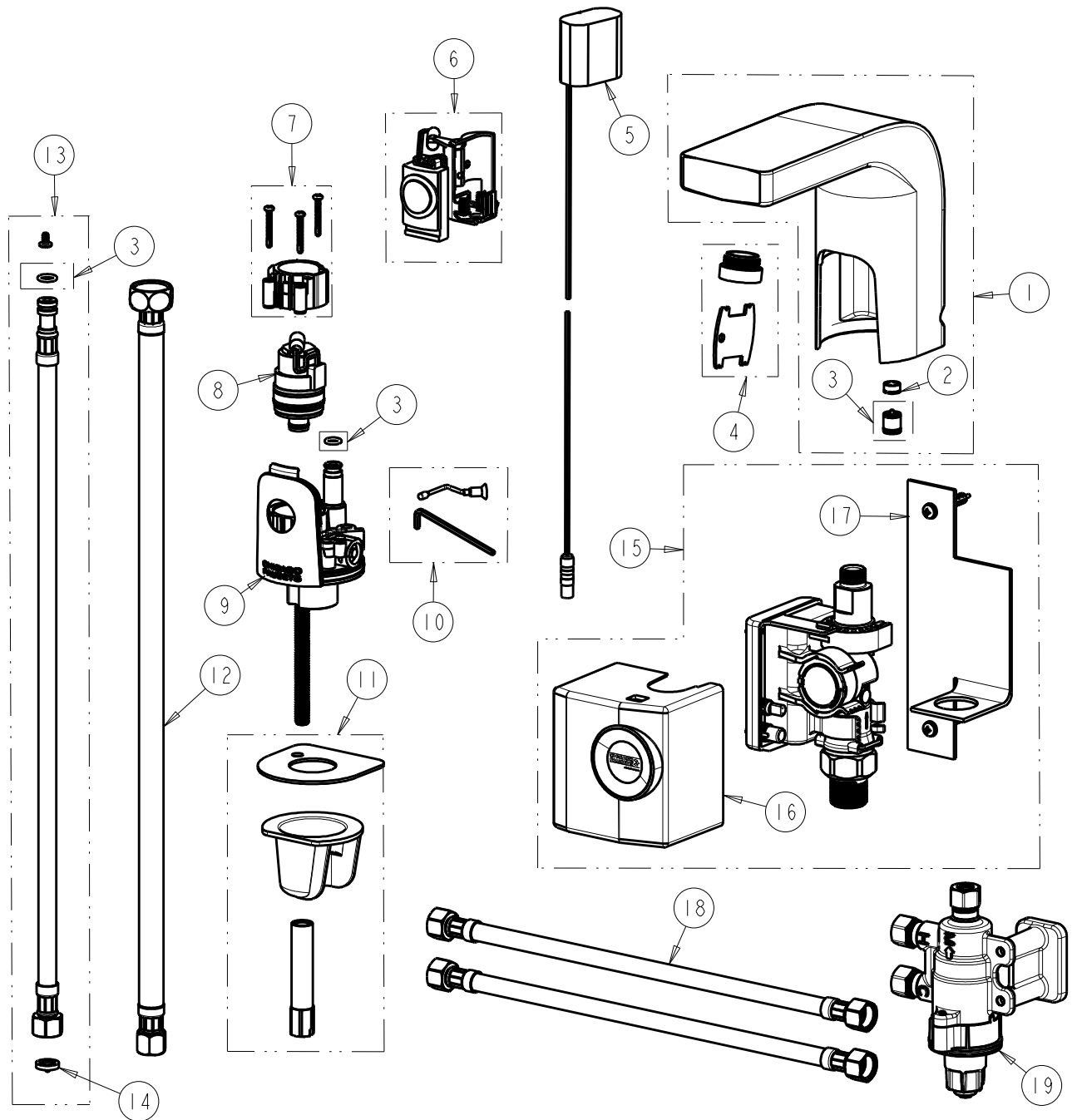
SUBMITTED MODEL NO.

ITEM NO.

FOR TECHNICAL ASSISTANCE
1-800-TEC-TRUE (1-800-832-8783)

BY: JAR DATE: 08-23-12

CHK: REV:



| ITEM | PART NO. | DESCRIPTION | ITEM | PART NO. | DESCRIPTION |
|------|--------------|--------------------------------|------|--------------|-----------------------------------|
| 1 | 242.816.AB.1 | KIT, LAVATORY SPOUT w/ 1.0 GPM | 11 | 242.835.00.1 | KIT, DECK MOUNTING HARDWARE |
| 2 | 1020-005JKNF | FLOW CONTROL 1.0 GPM MAX | 12 | --- | HOSE, 1/2" IPS x 3/8" COM x 18" L |
| 3 | 241.653.00.1 | KIT, CHECK VALVES & O-RINGS | 13 | 240.693.00.1 | KIT, SS BRAIDED HOSE (QTY 1) |
| 4 | 242.802.AB.1 | KIT, FLOW STRAIGHTENER | 14 | 3300-005JKNF | FILTER/SCREEN |
| 5 | 242.568.00.1 | GREEN POWER ADAPTER | 15 | 242.749.00.1 | GENERATOR, COMPLETE UNIT |
| 6 | 242.574.00.1 | KIT, MODULE TURBINE HYTRONIC | 16 | 242.750.00.1 | COVER, SSPS US |
| 7 | 242.432.00.1 | KIT, AB BONNET | 17 | 242.751.00.1 | KIT, WALL MOUNTING SSPS US |
| 8 | 240.744.00.1 | SOLENOID VALVE | 18 | --- | HOSE, 3/8" COM x 3/8" COM x 12" L |
| 9 | --- | BODY, NOT SOLD SEPARATELY | 19 | 131-ABNF | THERMOSTATIC AB MIXING VALVE |
| 10 | 240.753.00.1 | SHUT-OFF SCREW ASSEMBLY | | | |