

CHICAGO FAUCETS 

a Geberit company

2100 South Clearwater Drive
Des Plaines, IL 60018
Phone: 847-803-5000
Fax: 847-803-5454
www.chicagofaucets.com

REPAIR PARTS

BY: SID DATE: 10-02-12

CHK:  REV:

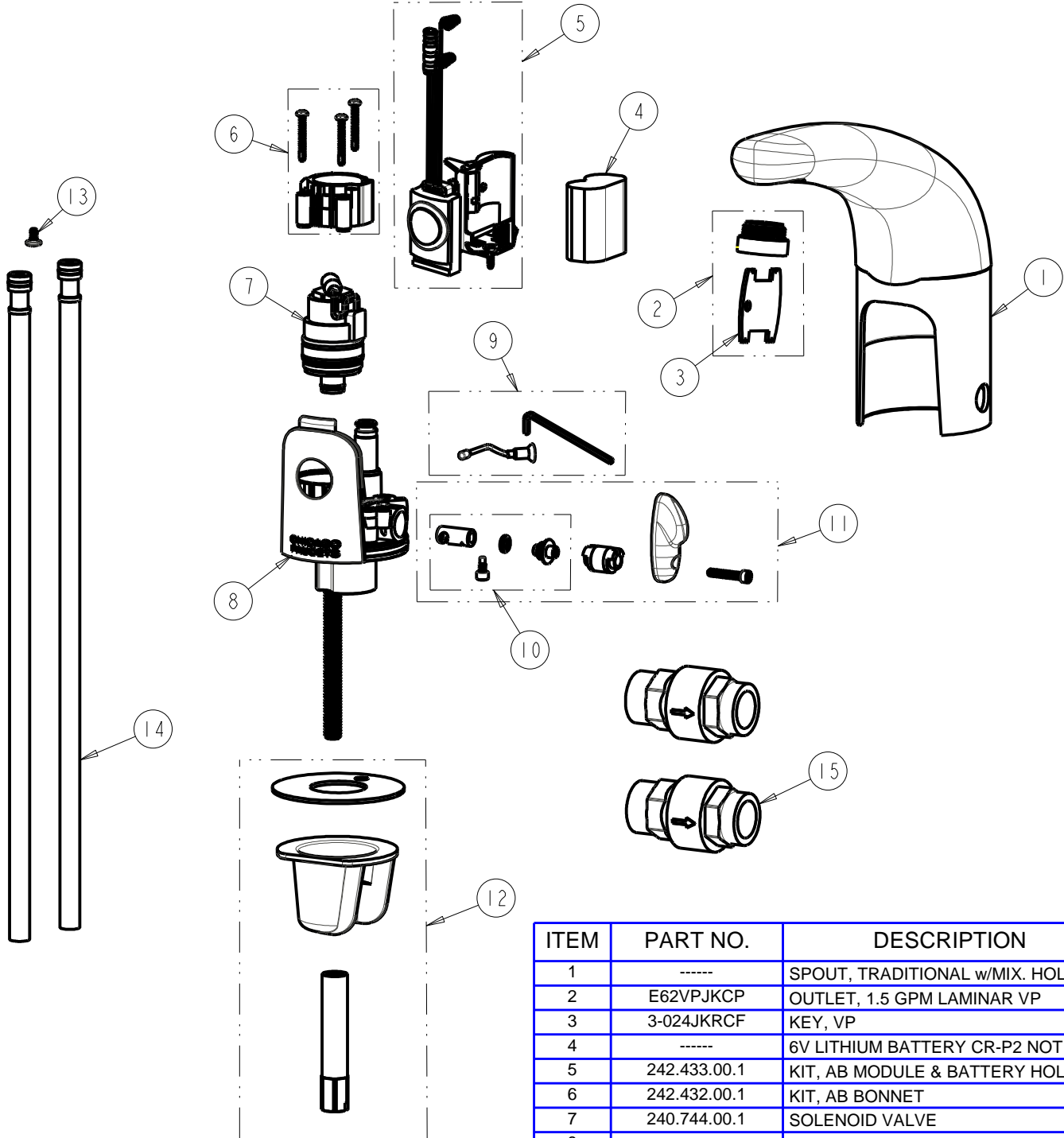
FITTING NO.

116.592.AB.1

SUBMITTED MODEL NO.

ITEM NO.

FOR TECHNICAL ASSISTANCE
1-800-TEC-TRUE (1-800-832-8783)



ITEM	PART NO.	DESCRIPTION
1	-----	SPOUT, TRADITIONAL w/MIX. HOLE
2	E62VPJKCP	OUTLET, 1.5 GPM LAMINAR VP
3	3-024JKRCF	KEY, VP
4	-----	6V LITHIUM BATTERY CR-P2 NOT SOLD
5	242.433.00.1	KIT, AB MODULE & BATTERY HOLDER
6	242.432.00.1	KIT, AB BONNET
7	240.744.00.1	SOLENOID VALVE
8	-----	BODY, NOT SOLD SEPARATELY
9	240.753.00.1	SHUT-OFF SCREW ASSEMBLY
10	242.844.AB.1	EXTERNAL MIXER REPAIR KIT
11	240.746.00.1	MIXER KIT
12	-----	KIT, DECK MOUNTING HARDWARE
13	-----	SCREW, #6-32 X 1/4" PHIL RETAINING
14	240.632.00.1	SUPPLY TUBE ASSEMBLY
15	-----	CHECK VALVE