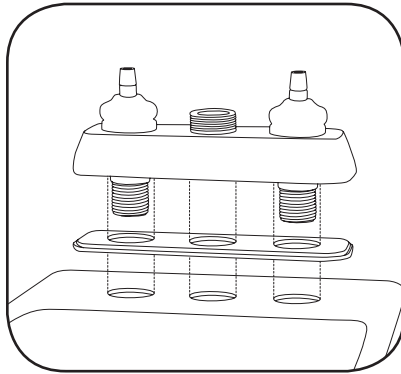


Workboard Faucets

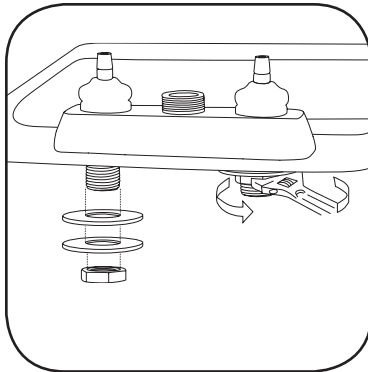
1 Position faucet base and gasket.



2 Attach washers and locking nuts and tighten.

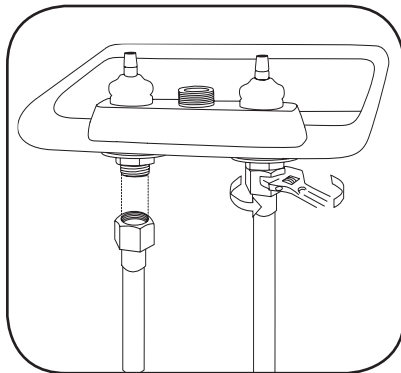
For typical applications, up to 14 Ga (.080"), two washers are required.

For installation with deck thickness above 14 Ga (.080"), only one washer is required.



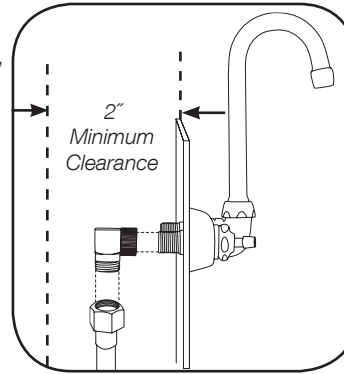
3 Attach water inlet hoses and tighten.

Can accommodate bull nose risers.

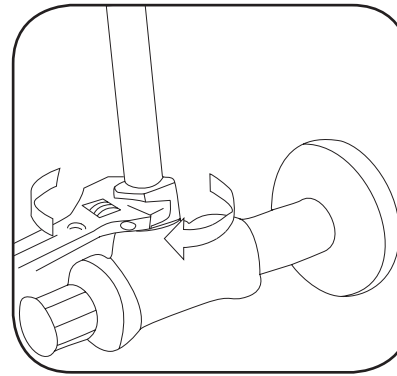


3a Optional accessory for low profile wall mounted installation

520-001KJKABRBF
Low Profile 90° Elbow Pair,
1/2" NPSM x 1/2" NPSM.
(not supplied)



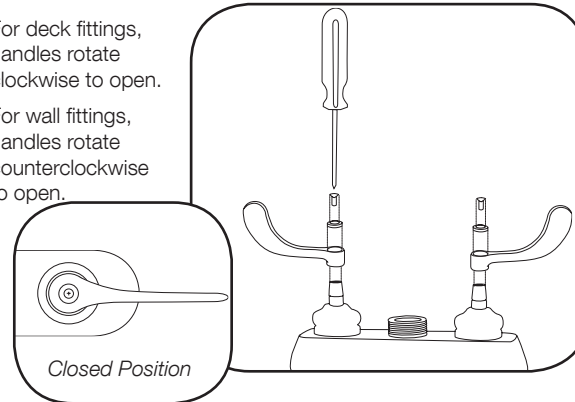
4 Connect to water supply.



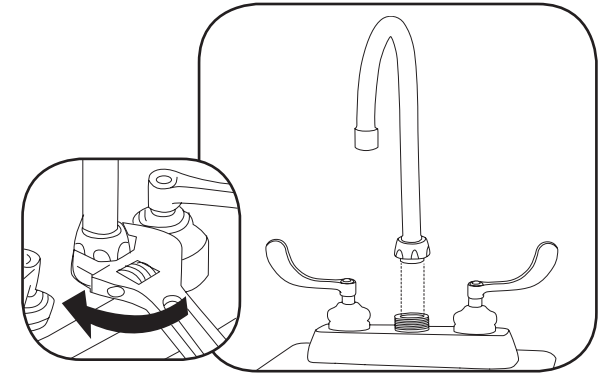
5 Attach handles and color-coded index buttons.

For deck fittings, handles rotate clockwise to open.

For wall fittings, handles rotate counterclockwise to open.



6 Follow instructions included with spout assembly. Attach spout and tighten.



7 Remove outlet, flush lines for at least 2 minutes, and reinstall outlet.

Chicago Faucets Limited Warranty

Please Note Before Installing

Installation should be in accordance with local plumbing codes. Flush all pipes thoroughly before installation.

Limited Warranty

The CHICAGO FAUCET COMPANY ("Chicago Faucets") extends to the original consumer the following warranties for Genuine Chicago Faucets manufactured products and components, or other components under the Chicago Faucets Warranties, (collectively, the "Products").

Lifetime Faucet Warranty

The "Faucet", defined as any metal cast, forged, stamped, or formed portion of the Product, not including electronic or moving parts or water restricting components, or other components covered under the Chicago Faucets warranties, is warranted against defects for the life of the product.

Five Year Cartridge Warranty

The "Cartridge", defined as the metal portion of any Product typically referred to by the product numbers containing 1-099X, 1-100X, 217-X, 377-X, or 274-X, excluding any rubber or plastic components, is warranted against manufacturing defects for a period of five (5) years from the date of Product purchase.

One Year Finish Warranty

The finish of the Product is warranted against manufacturing defects for a period of one (1) year from the date of Product purchase.

For complete Terms and Conditions, including warranty information, please visit chicagofaucets.com/customers.

Care and Maintenance

All Chicago Faucets fittings are designed and engineered to meet or exceed industry performance standards. Care should be taken when cleaning this product. Do not use abrasive cleaners, chemicals, or solvents as they can result in surface damage. Use mild soap with warm water for cleaning and protecting Chicago Faucets fittings.

Additional Documentation

Please visit chicagofaucets.com for a submittal drawing, replacement parts list, or installation instructions.

The Chicago Faucet Company
2100 South Clearwater Drive
Des Plaines, IL 60018
Phone: 847/803-5000
Fax: 847/803-5454
Technical: 800/832-8783
www.chicagofaucets.com

Installation Instructions for

Workboard Faucets

W4D, W8D, W4W, W8W Series

