

SENTINEL MARK II®

Exposed Anti-Scald Balanced Pressure Shower

S-1495-AF



GENERAL SPECIFICATION

Sentinel Mark II exposed anti-scald balanced pressure Shower. Brass lever handle. Adjustable temperature limit stop. Chrome plated cast brass body. Pressure balancing module. Ceramic temperature regulating module. 1/2" NPTF inlets. Vandal-resistant standard. Meets ASSE 1016, 1989 standard.

S-1495-AF

Exposed anti-scald balanced pressure shower. Adjustable stops and supply connections from floor, ceiling or wall. 7-1/2" center to center. Polished chrome plated brass gooseneck with supporting strap. S-2292-AF showerhead with flow control device reduces flow to 2.5 gpm/9.46 lpm maximum to meet existing ASME A112.18.1/CSA B125.1 standard.

S-1496-AF

Exposed anti-scald balanced pressure shower. Galvanized gooseneck with supporting strap. S-2271-AF showerhead with flow control device reduces flow to 2.5 gpm/9.46 lpm maximum to meet existing ASME A112.18.1/CSA B125.1 standard.

S-1496-AF



OPTIONS

SUFFIX	DESCRIPTION
--------	-------------

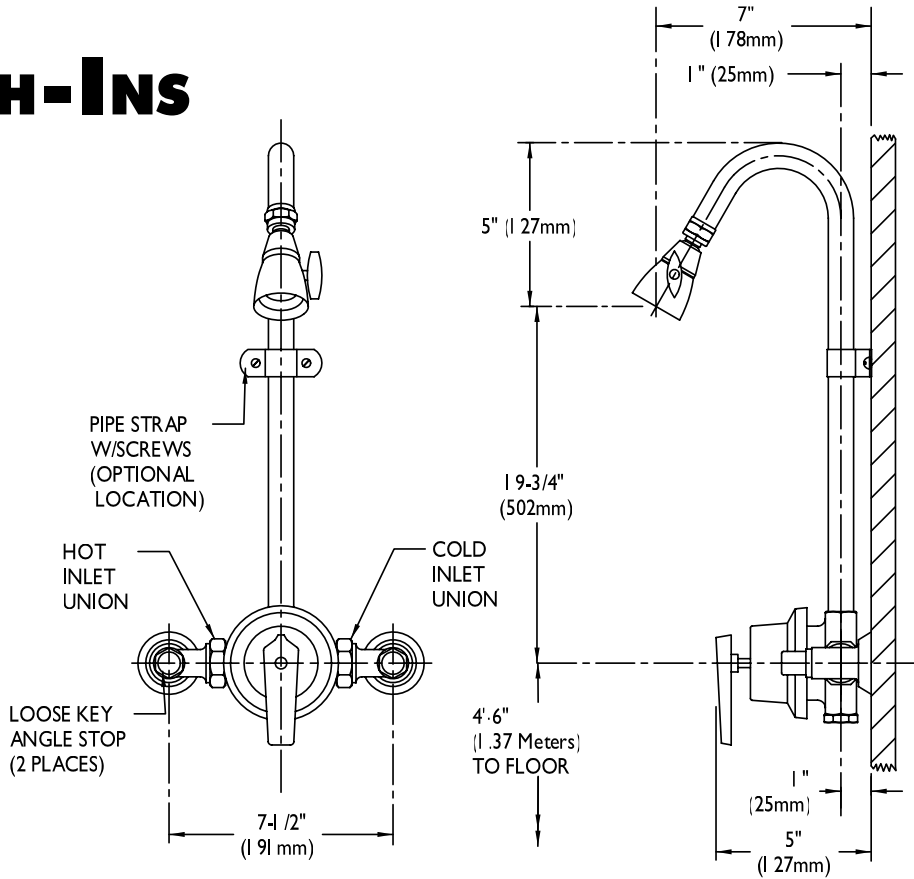
- | | |
|------------------------------|---------------------------------------|
| <input type="checkbox"/> LH | Less showerhead |
| <input type="checkbox"/> 1 | S-2251-AF showerhead |
| <input type="checkbox"/> 2 | S-2252-AF showerhead |
| <input type="checkbox"/> 2VR | S-2252-AF vandal-resistant showerhead |
| <input type="checkbox"/> 3 | S-2253-AF showerhead |
| <input type="checkbox"/> 4 | S-2220-AF showerhead |
| <input type="checkbox"/> 5 | S-2270-AF showerhead |
| <input type="checkbox"/> 6 | S-2288-AF showerhead |
| <input type="checkbox"/> 7 | S-2291-AF showerhead |
| <input type="checkbox"/> 9 | S-2292-AF showerhead (S-1496-AF only) |

This space for Architect/Engineer approval.

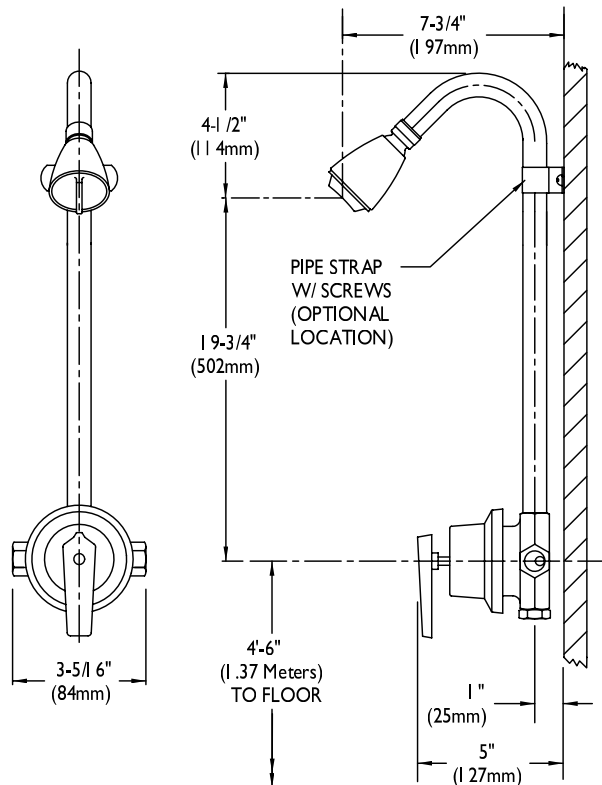


ROUGH-INS

S-1495-AF



S-1496-AF



NOTE: Unless otherwise specified, all inlets are 1/2" NPTF. Unless otherwise specified, all dimensions are in inches and are subject to change without notice.