

► **Code Number**

3362110

► **Description**

Sensor Activated, Electronic, Pedestal Hand Washing Faucet for tempered or hot/cold water operation.

► **Flow Rates**

☐ 0.5 gpm/1.9 Lpm Vandal Resistant Spray Head

► **Specifications**

ADA Compliant, Sensor Activated, 6 VDC, Chrome Plated Brass, Pedestal Hand Washing Faucet with the following features:

- Splash-proof Circuit Control Module
- Adjustable Infrared Sensor Range
- 36" (914 mm) Long Sensor Cable
- 24" (610 mm) Long Flex Hose
- Filtered Solenoid Valve with serviceable Strainer Filter
- 4" Trim Plate
- 6 VDC Plug-in Adapter (Model SF-2100 only)
- Non-aerated Spray Head
- Includes Four (4) AA-size Batteries
- Includes appropriate Mounting Hardware
- Trim Plate Kit for 4" (102 mm) Centerset Sink

► **Accessories (ordered separately)**

Standard Outlet

- SFP-13 0.5 gpm/1.9 Lpm Spray Head
- SFP-23 2.2 gpm/8.3 Lpm Aerator Spray Head

Vandal Resistant Outlet

- EAF-15 0.5 gpm/1.9 Lpm Vandal Resistant Spray Head
- SFP-24 2.2 gpm/8.3 Lpm Vandal Resistant Aerator Spray Head

Faucet Extension Kit

- SFP-30-A Faucet Extension Kit

Adapters

- SFP-6 110 VAC/6 VDC Plug-in Adapter
- SFP-20 220 VAC/6 VDC Type G Rectangular (UK) Plug-in Adapter
- SFP-25 220 VAC/6 VDC Type C Round Pin (Euro) Plug-in Adapter
- SFP-26 220 VAC/6 VDC Type A Flat Blade (Asia) Plug-in Adapter
- SFP-35-A Gang Adapter Kit, includes 1 Plug-in Gang Adapter, 5 Splitter Cables and 1 Extension Cable
- SFP-36 71" (1800 mm) 120 VAC/6 VDC Plug-in Gang Adapter
- SFP-38 51" (1300 mm) Splitter Cable
- SFP-37 51" (1300 mm) Extension Cable

► **Control Circuit**

6 VDC Input/Output

► **Adapter**

6 VDC Plug-in (Model 2100 only)

► **Battery Life**

Four (4) Alkaline AA Batteries 2 years at 8,000 cycles/month

► **Solenoid Valve**



► **Automatic Operation**

The Sloan SF-2100 and SF-2150 Electronic Pedestal Hand Washing Faucets operate by means of an infrared sensor. When the user enters the sensor's effective range, the Solenoid activates the water flow. Tempered water flows from the Faucet until the user steps away. The Faucet then automatically shuts off.

► **Hygienic**

The ultimate in sanitary protection — there are no handles to turn or buttons to push. Helps to control the spread of infectious diseases.

► **Economical**

Automatic operation provides water usage savings over other faucet devices. Reduces maintenance and operation costs.

► **Compliance & Certifications**

ASME A112.18.1



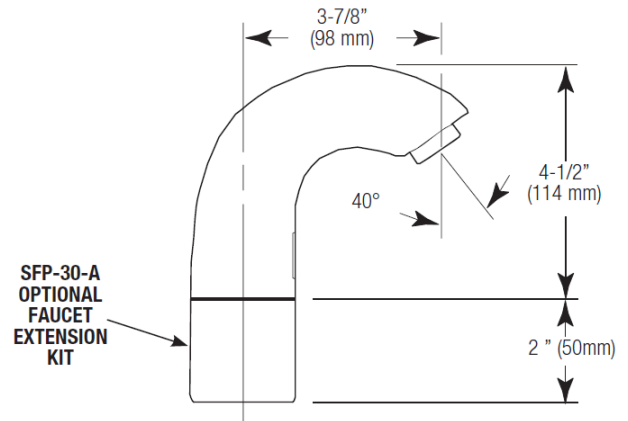
This space for Architect/Engineer Approval

6 VDC, Serviceable Strainer, 3/8" Compression Inlet, 1/2" NPSM Outlet

### ► DIMENSIONS

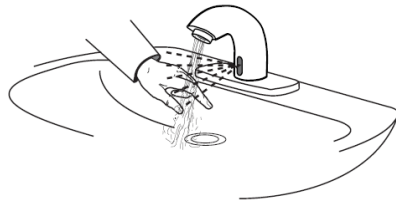
### ► Sensor Range

Nominal: 4" - 7" (102 mm - 178 mm)

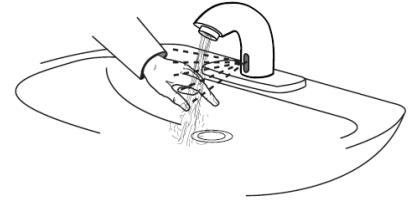


### ► OPERATION

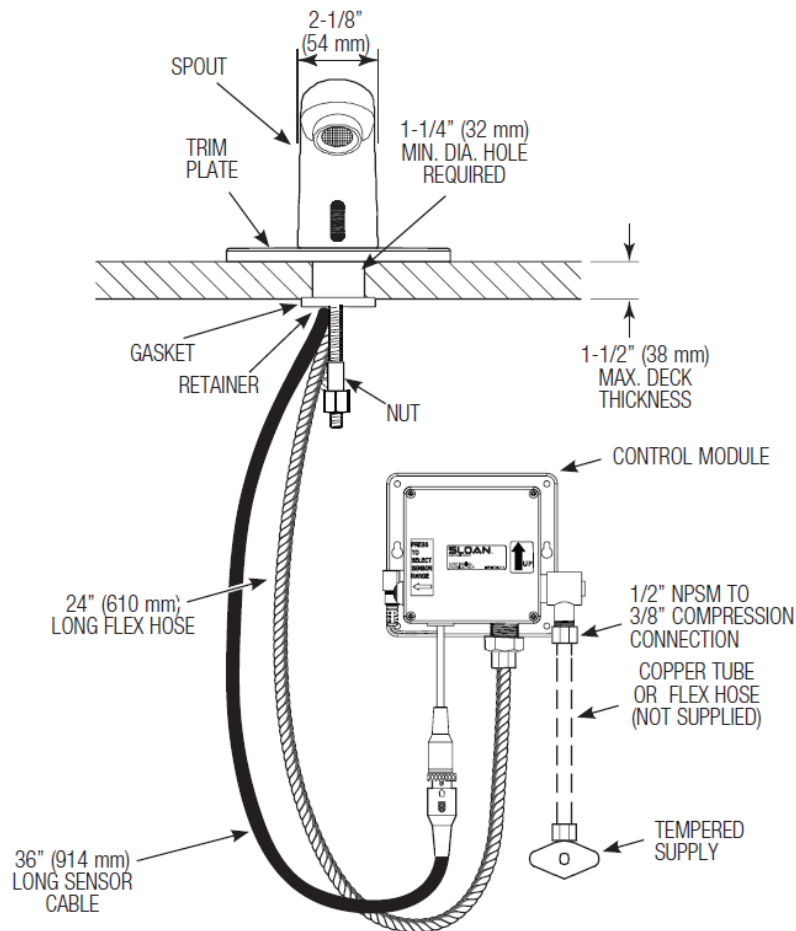
1. When a user's hands enter the sensing range, water flows from the spout.



2. When hands are removed, the water flow stops.



### ► ROUGH-IN



### HOT AND COLD WATER SUPPLY APPLICATIONS (SPECIFY IN MODEL VARIATION)

