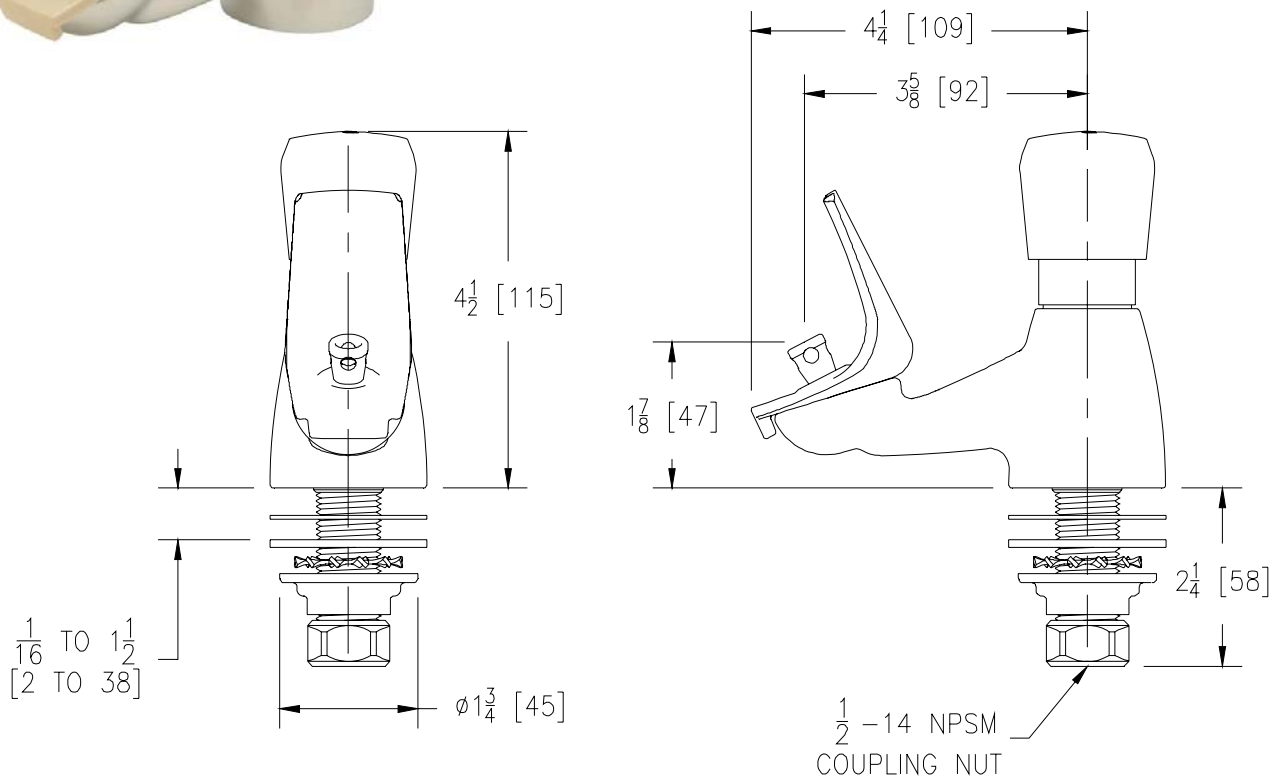




Engineering Specification: Zurn AquaSpec® Z83600-XL

Polished chrome plated cast brass self-closing bubbler with an internal filter, an angled stream nozzle, a cast metal push handle, a flexible mouth guard with Biosafe antimicrobial technology, and a manual volume control.

Zurn Lead Compliant* "XL" products are a line of durable, high quality brass faucets and fixtures that are designed and manufactured to comply with state laws and local codes that mandate lead content levels. Zurn "XL" products are manufactured with *not more than 0.25% lead content when used with respect to wetted surfaces of pipes and pipe fittings, plumbing fitting and fixtures: California Health & Safety Code § 116875; Vermont 9 VCA § 2470h



Note: All dimensions are for reference only. Do not use for pre-plumbing

OPTIONAL ACCESSORIES

Suffix	Description
— -AR	Anti-Rotation Pins
— -CS	Check Stop
— -PC	Polished Chrome Plated Brass Mouth Guard
— -RKR	ADA Compliant Rocker Handle

