



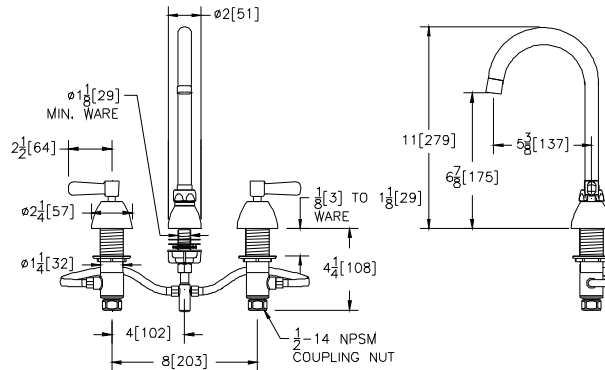
# WIDESPREAD Z831B1-XL TAG



## Engineering Specifications: Zurn AquaSpec® Z831B1-XL

Polished chrome-plated brass widespread with adjustable centers from 6"[152mm] to 20"[508mm], a 5-3/8" [137mm] centerline rigid or swing gooseneck spout and quarter turn ceramic disc cartridges. Unit is furnished with a 2.2 GPM [8.3 L] pressure compensating aerator (complying with ANSI A112.18.1 Standard for flow), 2-1/2" [64mm] vandal-resistant color-coded metal lever handles, mounting hardware and 1/2" NPSM coupling nuts for standard lavatory risers. Widespread accommodates installations up to 1-1/8" [29mm] thick.

Zurn Lead Compliant\* "XL" products are a line of durable, high quality brass faucets and fixtures that are designed and manufactured to comply with state laws and local codes that mandate lead content levels. Zurn "XL" products are manufactured with \*not more than 0.25% lead content when used with respect to wetted surfaces of pipes and pipe fittings, plumbing fitting and fixtures: California Health & Safety Code § 116875; Vermont 9 VCA § 2470h



Note: All dimensions are for reference only. Do not use for pre-plumbing

## OPTIONAL ACCESSORIES

| Suffix   | Description                                                                       |
|----------|-----------------------------------------------------------------------------------|
| ___ -85  | 85° Restricted Swing Spout                                                        |
| ___ -CWO | Cold Water Only                                                                   |
| ___ -FC  | 2.0 GPM [7.6 L] Laminar Flow Control in Base of Spout                             |
| ___ -G   | 1-1/4" [32mm] Grid Strainer Drain                                                 |
| ___ -HCT | Hot/Cold Text Indexes                                                             |
| ___ -HS  | Hose and Spray                                                                    |
| ___ -ICT | Inter-connecting Copper Supply Tubes for 8" In-line Centers                       |
| ___ -P   | 1-1/4" [32mm] Pop-up Drain                                                        |
| ___ -PT  | 1-1/4" [32mm] Cast Brass P-Trap with a 7-1/2" [191mm] Long 17-Gauge Wall Bend     |
| ___ -TW  | Third Waterway                                                                    |
| ___ -2F  | 2.2 GPM [8.3 L] Vandal-Resistant Pressure Compensating Female Aerator             |
| ___ -3F  | 0.5 GPM [1.9 L] Vandal-Resistant Pressure Compensating Female Spray Outlet        |
| ___ -4F  | 2.2 GPM [8.3 L] Vandal-Resistant Pressure Compensating Female Laminar Flow Outlet |
| ___ -7F  | 1.0 GPM [3.8L] Pressure Compensating Female Spray Outlet                          |
| ___ -16F | 1.0 GPM [3.8L] Vandal-Resistant Pressure Compensating Female Spray Outlet         |
| ___ -17F | 1.5 GPM [5.7L] Vandal-Resistant Pressure Compensating Female Aerator              |
| ___ -18F | 1.5 GPM [5.7L] Vandal-Resistant Pressure Compensating Female Laminar Flow Outlet  |
| ___ -19F | 1.5 GPM [5.7 L] Anti-Microbial Pressure Compensating Female Laminar Flow Outlet   |
| ___ -21F | 1.0 GPM [3.8L] Pressure Compensating Female Laminar Flow Outlet                   |
| ___ -22F | 1.0 GPM [3.8L] Pressure Compensating Vandal-Resistant Female Laminar Flow Outlet  |
| ___ -23F | 1.5 GPM [5.7L] Pressure Compensating Female Aerator                               |
| ___ -24F | 0.35 GPM [1.3 L] Pressure Compensating Female Spray Outlet                        |
| ___ -25F | 0.35 GPM [1.3 L] Vandal-Resistant Pressure Compensating Female Spray Outlet       |

ZURN INDUSTRIES, LLC. ♦ COMMERCIAL BRASS OPERATION ♦ 5900 ELWIN BUCHANAN DRIVE ♦ SANFORD NC 27330

Phone: 1-800-997-3876 ♦ Fax: 919-775-3541 ♦ World Wide Web: www.zurn.com

In Canada: ZURN INDUSTRIES LIMITED ♦ 3544 Nashua Drive ♦ Mississauga, Ontario L4V1L2 ♦ Phone: 905-405-8272 Fax: 905-405-1292