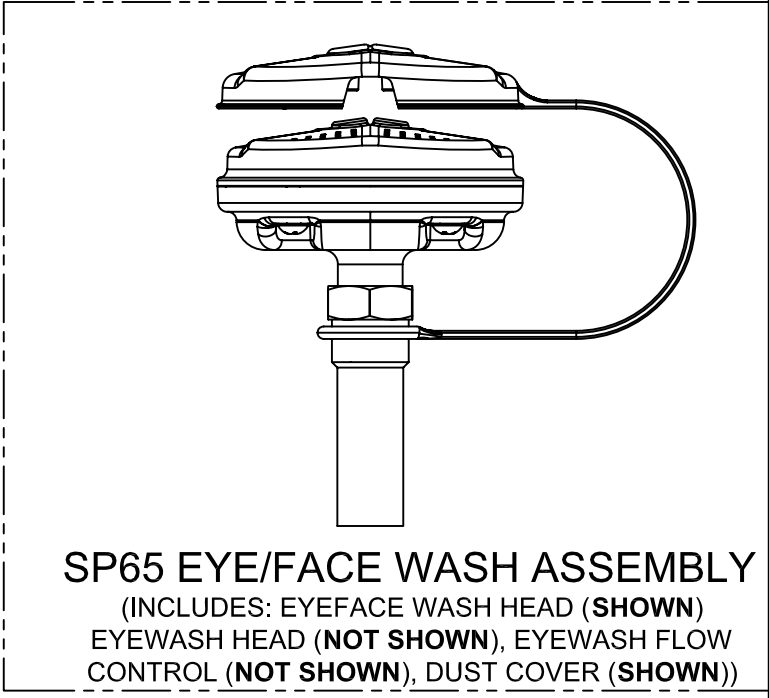
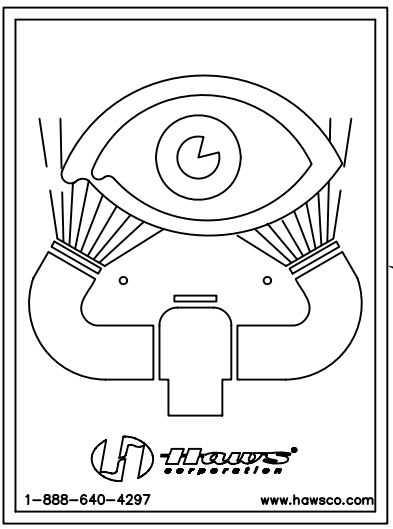
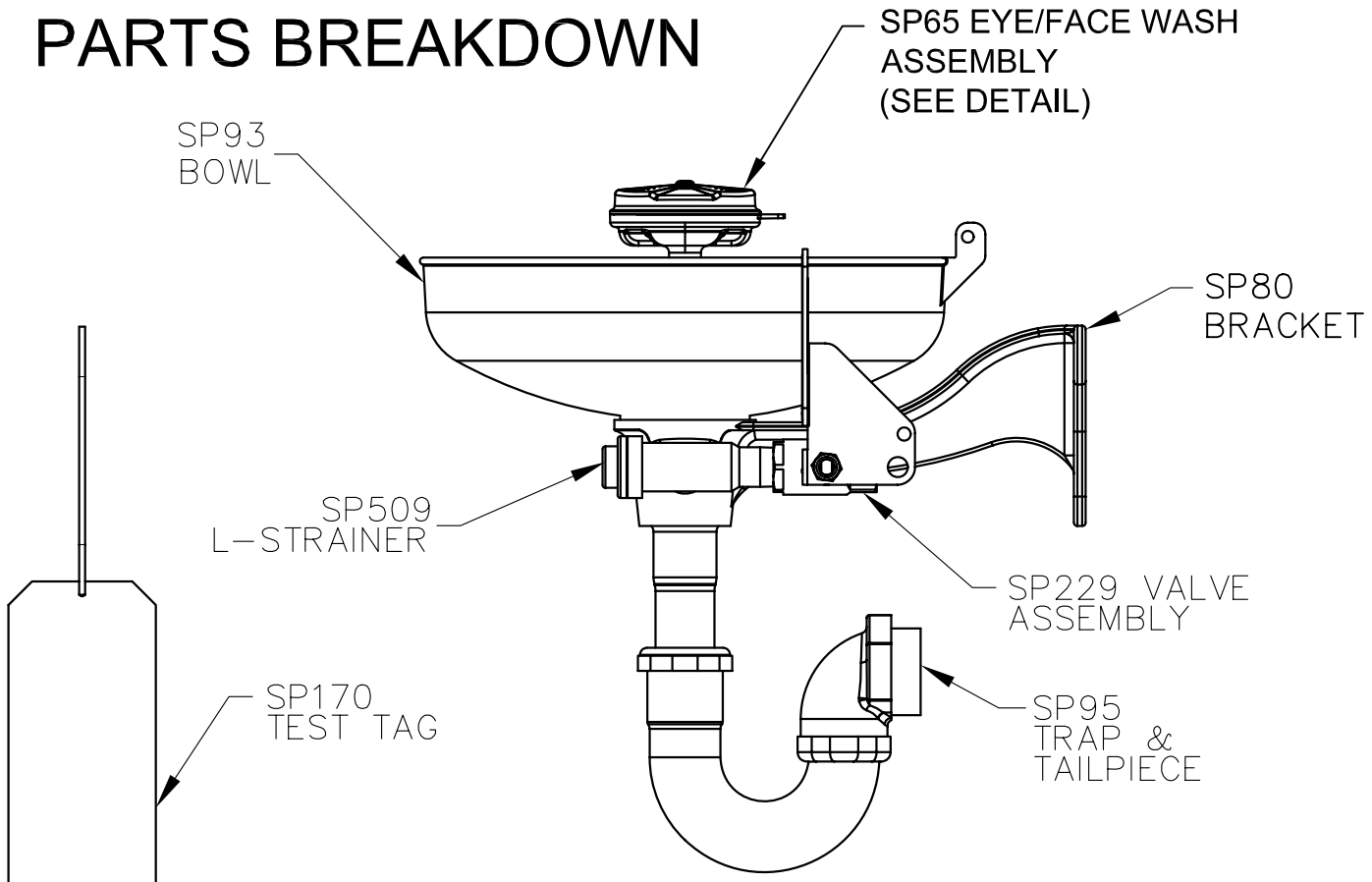


# PARTS BREAKDOWN



**NOTE:**

TRAP & TAILPIECE SUPPLIED WITH MODEL 7260BT & 7270BT ONLY.

<p><b>WHEN ORDERING PARTS PLEASE SPECIFY YOUR MODEL NUMBER</b></p>			1455 KLEPPE LANE SPARKS, NEVADA	BACHWEG 3 CH3401 BURGDORF SWITZERLAND	
	DRAWN BY: RTM	DATE: 07/17/02	CHECK BY:	APP'D BY:	
	TITLE: 7260B/7260BT/7270B/7270BT			PART NUMBER: 0002080038	
	DRAWING TYPE: PARTS BREAKDOWN			DRAWING NUMBER: 15345A00	REV: 13