



# T&S BRASS AND BRONZE WORKS, INC.

2 Saddleback Cove / P.O. Box 1088  
Travelers Rest, SC 29690



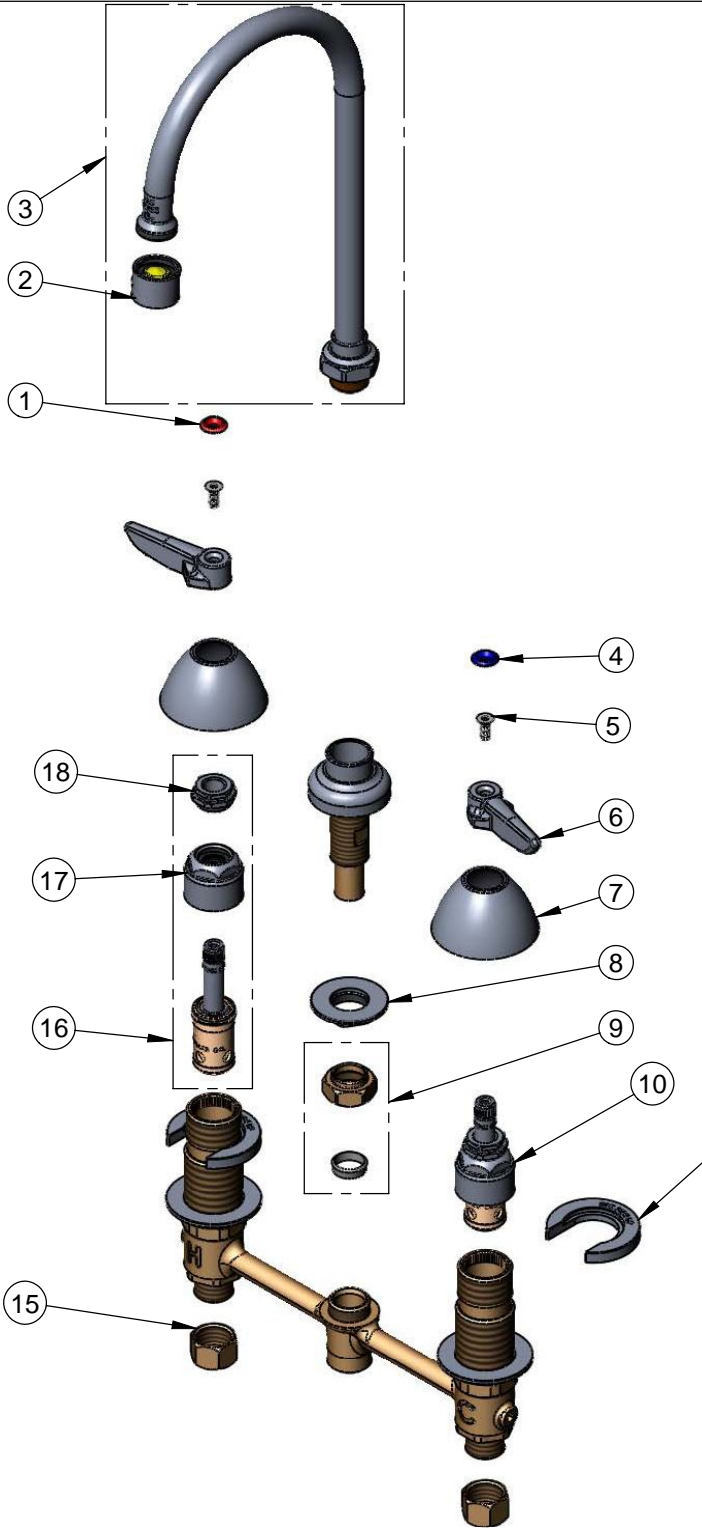
REG. #A2601  
ISO #9001

Model No.

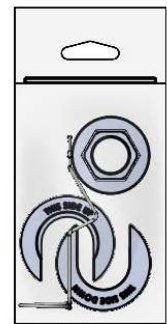
**B-2851-133X-VR**

Item No.

Travelers Rest, SC: 800-476-4103 Simi Valley, CA: 800-423-0150 Fax: 864-834-3518 www.tsbrass.com



ITEM NO.	SALES NO.	DESCRIPTION
1	001661-45	Red Index-HW
2	B-0199-21-VRF	VR Laminar Flow Device
3	133X-LAM-VR	133X w/ B-0199-21-VRF
4	001660-45	Blue Index-CW
5	010586-45	Pin-In-Socket Screw
6	001638-45	Lever Handle
7	001257-40	Bell Escutcheon
8	016742-45	Center Flange Nut
9	016745-45	Compression Nut & Fitting
10	016752-40	EasyInstall CWS LTC Eterna (Teflon)
11	016749-45	C-Washer
12	Q015425-45	Vandal Resistant Key
13	016777-45	CWS Hanger
14	010587-45	Pin-in-Socket Hex Key
15	000958-20	Coupling Nut
16	016753-40	EasyInstall CWS RTC Eterna (Teflon)
17	016743-25	CWS Bonnet Assembly
18	009002-25	Packing Nut Assembly



017245-40  
Installation Repair Kit  
Includes #8, (2)#11, & #13

Product Specifications:

EasyInstall Faucet, Lever Handles w/ VR Screws,  
Compression Cartridges, 8" Inlet Centers,  
133X Gooseneck w/ 2.2 GPM VR Laminar Flow Device

Drawn <b>JRM</b>	Checked <b>GEF</b>	Approved <b>JHB</b>
Scale: <b>NTS</b>		Date: <b>09/11/08</b>