



T&S BRASS AND BRONZE WORKS, INC.

2 Saddleback Cove / P.O. Box 1088
Travelers Rest, SC 29690



REG. #A2601
ISO #9001

Model No.
B-0710

Item No.

Travelers Rest, SC: 800-476-4103 Simi Valley, CA: 800-423-0150 Fax: 864-834-3518 www.tsbrass.com

This Space for Architect/Engineer Approval

Job Name _____ Date _____

Model Specified _____ Quantity _____

Customer/Wholesaler _____

Contractor _____

Architect/Engineer _____

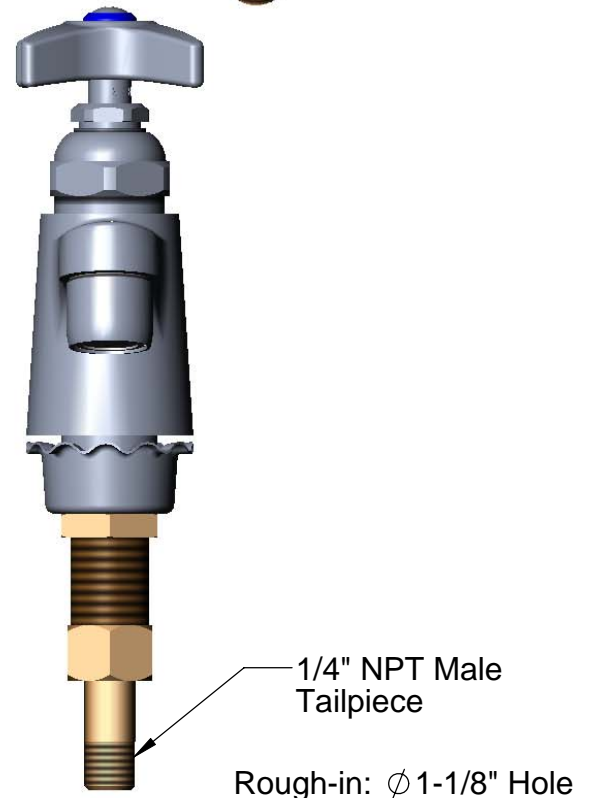
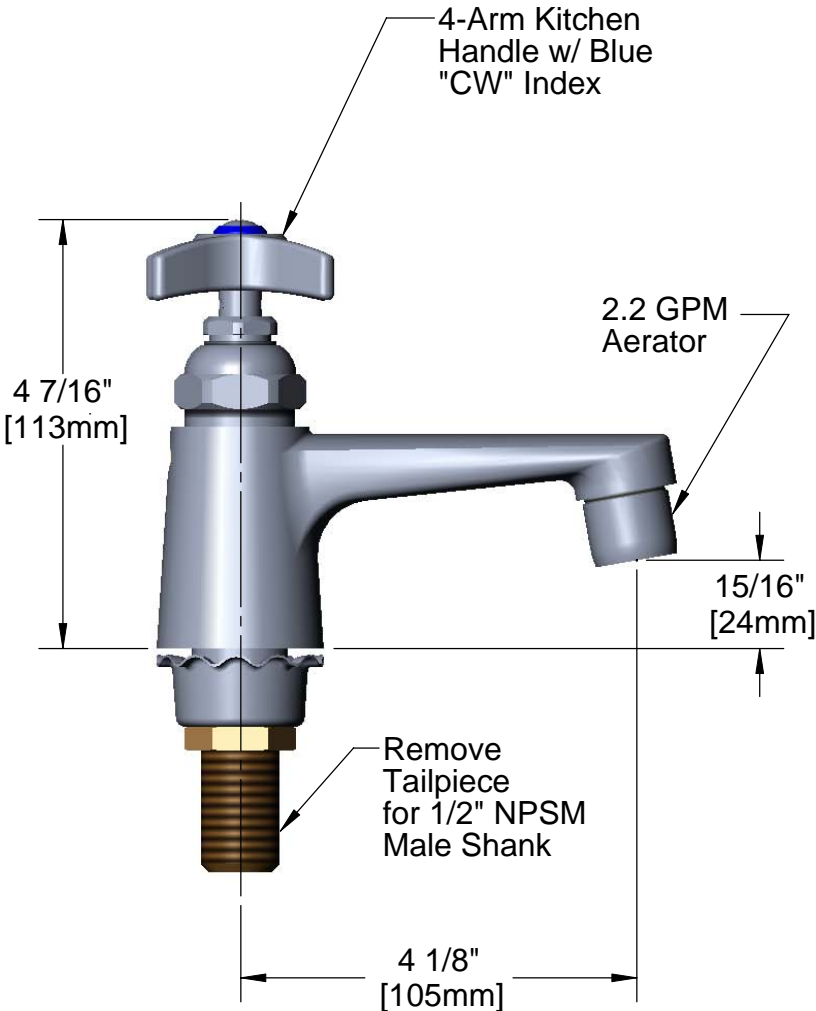


ADA Compliant



Variations or Applicable Options:

- WH6 6" Wrist Action Handle
- 177F Lever Handle



Product Specifications:

Single Temperature Basin Faucet w/ 1/2" NPSM Male Shank, 4-Arm Kitchen Handle, and 2.2 GPM Aerator

Drawn DMH	Checked GEF	Approved JHB
Scale: 1:2		Date: 10/03/08



T&S BRASS AND BRONZE WORKS, INC.

2 Saddleback Cove / P.O. Box 1088
Travelers Rest, SC 29690

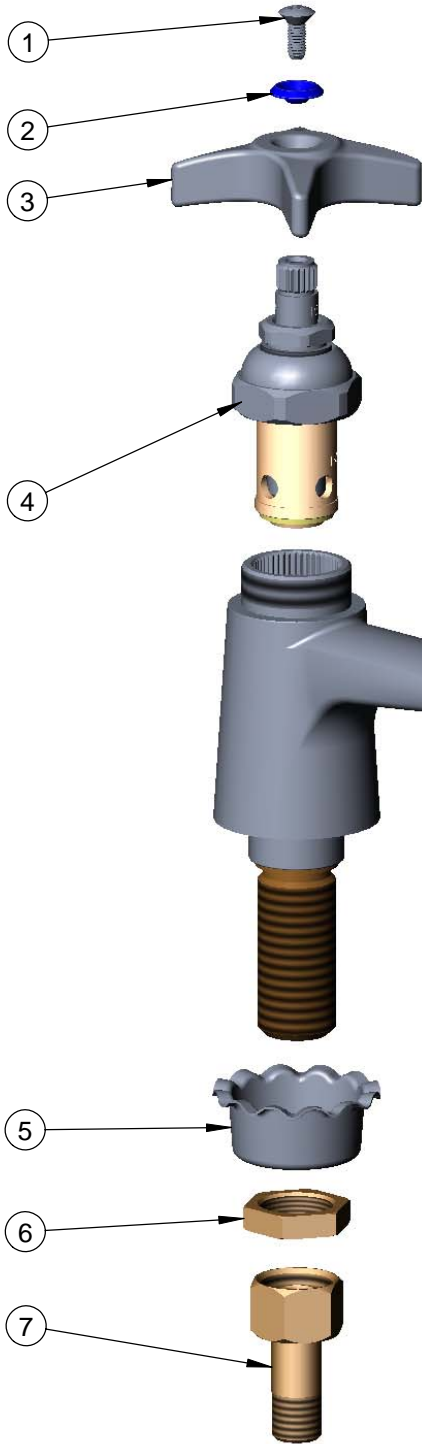


REG. #A2601
ISO #9001

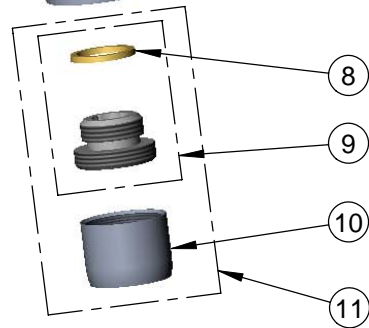
Model No.
B-0710

Item No.

Travelers Rest, SC: 800-476-4103 Simi Valley, CA: 800-423-0150 Fax: 864-834-3518 www.tsbrass.com



ITEM NO.	SALES NO.	DESCRIPTION
1	000922-45	Lever Handle Screw
2	001660-45	Blue Index-CW
3	002521-45	4-Arm Handle
4	005960-40	Eterna Spindle Asm, Hot
5	001000-45	Rosette Washer
6	002954-45	Shank Lock Nut
7	150A	Nut & Tailpiece
8	001043-45	Washer
9	044A	3/8" to Aerator Adapter
10	B-0199-01	2.2 GPM Aerator, Female
11	B-0199-02	2.2 GPM Aerator, 3/8" NPSM



Product Specifications:
Single Temperature Basin Faucet w/ 1/2" NPSM Male Shank,
4-Arm Kitchen Handle, and 2.2 GPM Aerator

Drawn DMH	Checked GEF	Approved JHB
Scale: 1:2		Date: 10/03/08