



T&S BRASS AND BRONZE WORKS, INC.

2 SADDLEBACK COVE / P.O. BOX 1088 / TRAVELERS REST, SC 29690

PHONE 800-476-4103

FAX 864- 834-3518



Model No.

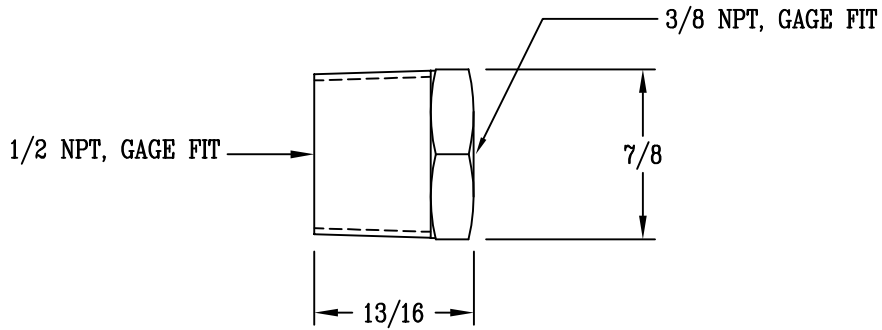
001359-40

Item No.:

Job Name:

Architect/Engineer Approval:

Notes:



Product Description:

ADAPTER: 1/2" NPT MALE x 3/8" NPT FEMALE

Drawn:

WJS

Checked

DMA

Scale:

1' = 1'

Approved

MVW

Date:

1/23/98