



KITCHEN SINK FAUCET Z871J3-XL



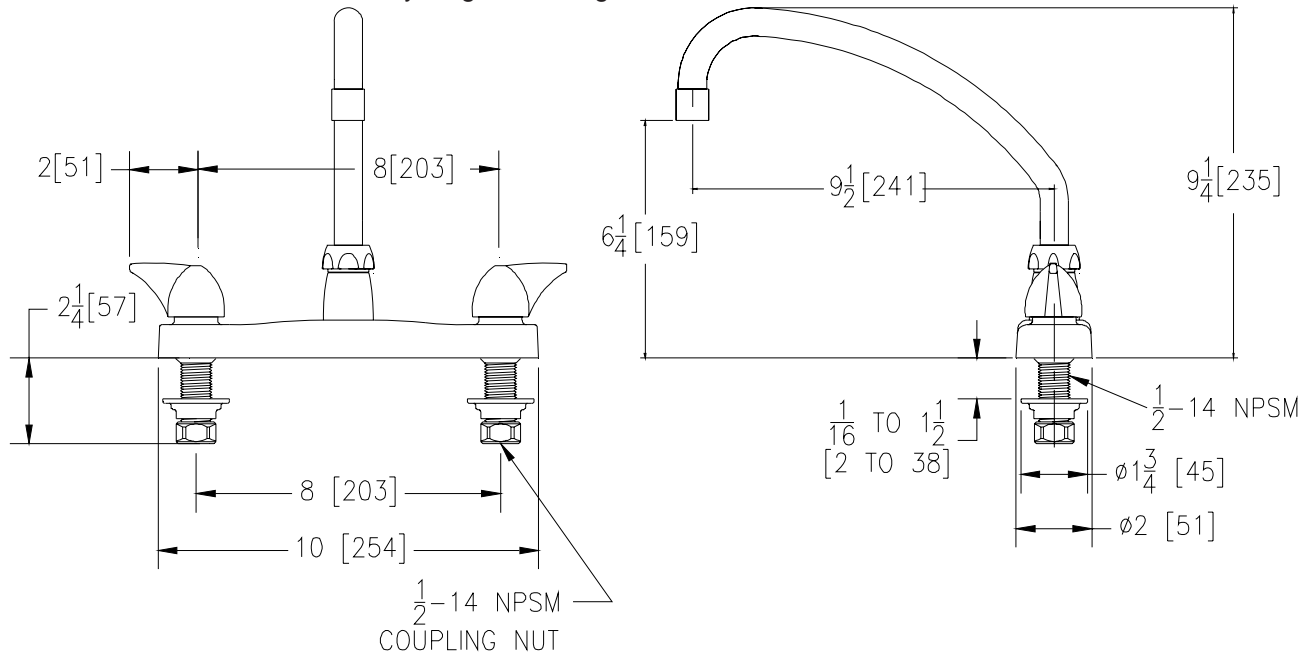
TAG _____



Engineering Specifications: Zurn AquaSpec® Z871J3-XL

Polished chrome-plated 8" [203mm] brass deck faucet with a 9-1/2" [241mm] tubular brass swing spout and quarter turn ceramic disc cartridges. Unit is furnished with a 2.2 GPM [8.3 L] pressure compensating aerator (complying with ANSI A112.18.1 Standard for flow), 2" [51mm] vandal-resistant color-coded metal dome lever handles, mounting hardware and 1/2" NPSM coupling nuts for standard lavatory risers.

Zurn Lead Free products (-XL), is the line of durable, high quality brass faucets and fixtures that are designed and manufactured to comply with state laws and local codes that mandate lead content levels. Zurn Lead Free products (-XL) are manufactured with less than one quarter of one percent (0.25%) total lead content by weighted average.



Note: All dimensions are for reference only. Do not use for pre-plumbing

OPTIONAL ACCESSORIES

| Suffix | Description |
|---------|---|
| ___-HCT | Hot/Cold Text Indexes |
| ___-HS | Hose and Spray |
| ___-PT | 1-1/4" [32mm] Cast Brass P-Trap with a 7-1/2" [191mm] Long 17-Gauge Wall Bend |
| ___-2F | 2.2 GPM [8.3 L] Vandal-Resistant Pressure Compensating Female Aerator |
| ___-3F | 0.5 GPM [1.9 L] Vandal-Resistant Pressure Compensating Female Spray Outlet |
| ___-4F | 2.2 GPM [8.3 L] Vandal-Resistant Pressure Compensating Female Laminar Flow Outlet |
| ___-7F | 1.0 GPM [3.8L] Pressure Compensating Female Spray Outlet |
| ___-16F | 1.0 GPM [3.8L] Vandal-Resistant Pressure Compensating Female Spray Outlet |
| ___-17F | 1.5 GPM [5.7L] Vandal-Resistant Pressure Compensating Female Aerator |
| ___-18F | 1.5 GPM [5.7L] Vandal-Resistant Pressure Compensating Female Laminar Flow Outlet |
| ___-19F | 1.5 GPM [5.7 L] Anti-Microbial Pressure Compensating Female Laminar Flow Outlet |
| ___-20F | 1.0 GPM [3.8L] Vandal-Resistant Pressure Compensating Anti-Microbial Female Laminar Flow Outlet |
| ___-21F | 1.0 GPM [3.8L] Female Laminar Flow Outlet |
| ___-22F | 1.0 GPM [3.8L] Vandal-Resistant Female Laminar Flow Outlet |



ZURN INDUSTRIES, LLC ♦ COMMERCIAL BRASS OPERATION ♦ 2640 SOUTH WORK STREET ♦ FALCONER NY 14733

Phone: 1-716-665-1132 ♦ Fax: 1-716-665-1135 ♦ World Wide Web: www.zurn.com

In Canada: ZURN INDUSTRIES LIMITED ♦ 3544 Nashua Drive ♦ Mississauga, Ontario L4V1L2 ♦ Phone: 905/405-8272 Fax: 905/405-1292