

ROUGHING IN DIMENSIONS MAY VARY AND ARE SUBJECT TO CHANGE. NO RESPONSIBILITY IS ASSUMED FOR USE OF SUPERCEDED OR VOIDED DATA. (0192-1)



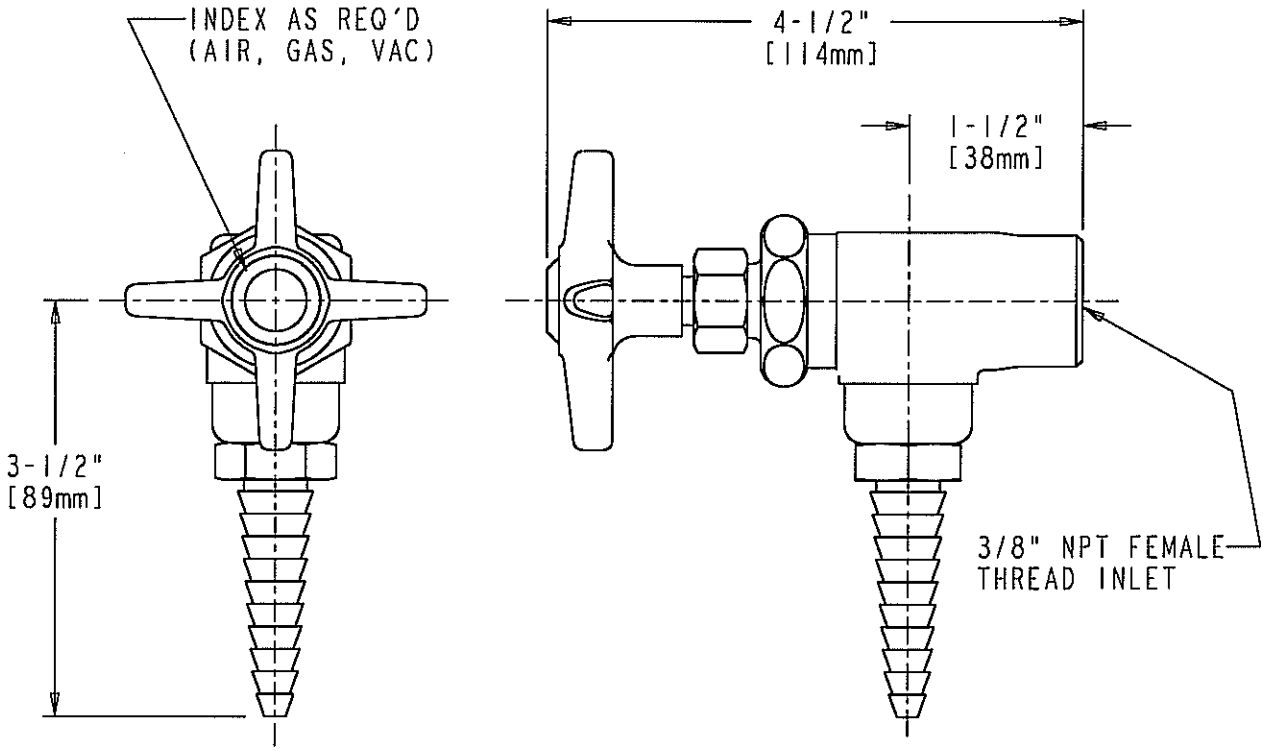
2100 SOUTH CLEARWATER DRIVE  
DES PLAINES, ILLINOIS 60018-5999

FITTING NO.
954-CH
SUBMITTED MODEL NO.

JOB NAME

ITEM NO.

SUBMITTED AS SHOWN	
SUBMITTED AS NOTED	
SEE ATTACHED FOR SUBMITTED MODIFICATION	



DIMENSIONS IN INCHES AND [MILLIMETERS].

TECHNICAL DATA

- SINGLE ANGLE VALVE LABORATORY FITTING
- 204 INDEXED 4-ARM HANDLE
- NEEDLE VALVE UNIT
- POLISHED CHROME FINISH OR AS SPECIFIED
- E7T LAB NOZZLE OUTLET
- ANSI A112.18.1 COMPLIANT
- CSA B125 COMPLIANT

DATE: 05-27-97  
 BY: MGM  
 CHK'D: *PT*  
 APP'D:  
 REV: 05-27-97

954-CH