

JOB NAME

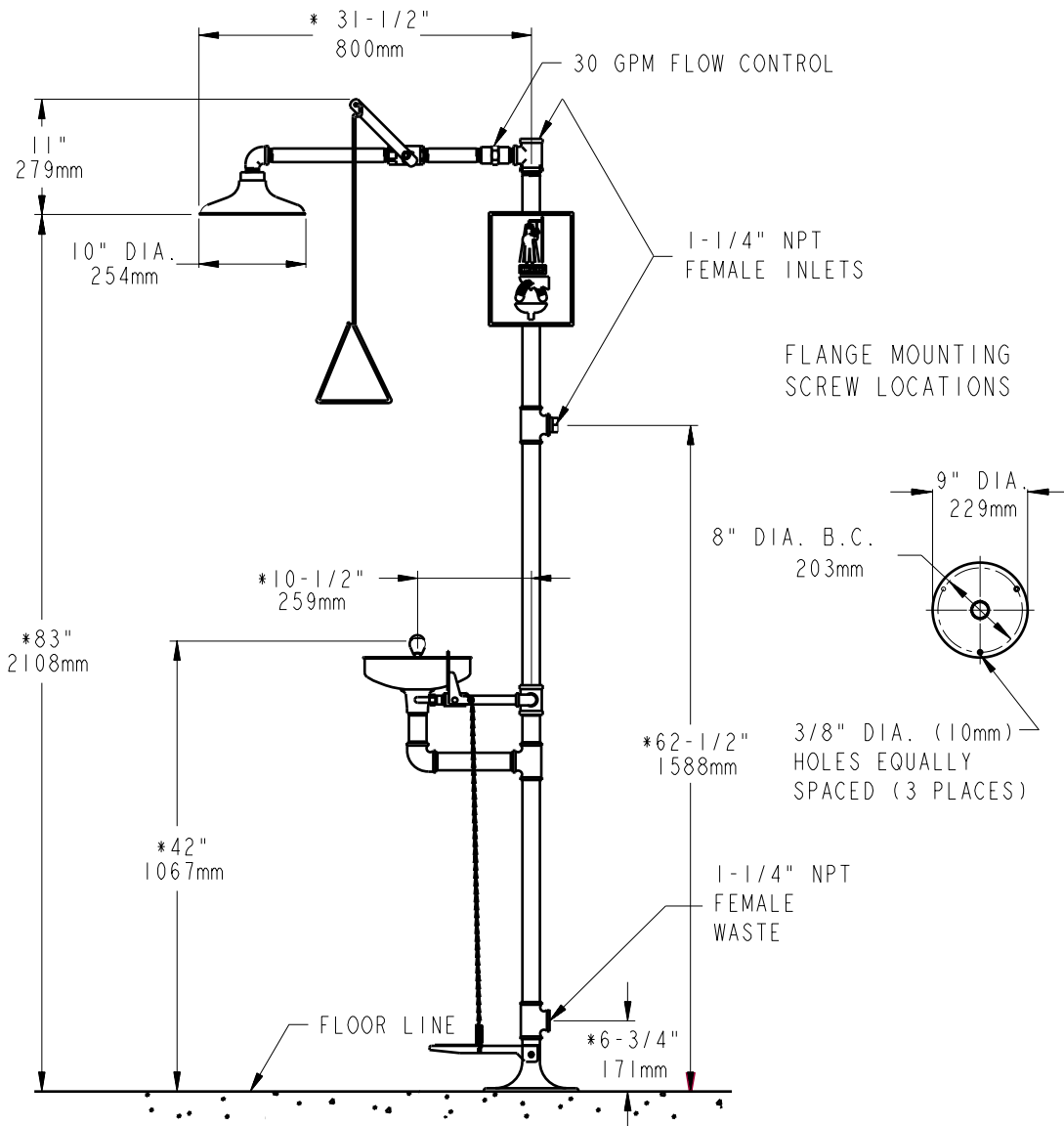
ITEM NO.

SUBMITTED AS SHOWN

SUBMITTED AS NOTED

SEE ATTACHED FOR
SUBMITTED MODIFICATION

NOTE: A FLOOR DRAIN SHOULD
BE PROVIDED FOR THIS PRODUCT.



* THESE DIMENSIONS MAY VARY PLUS OR MINUS 1/2" (12.7mm).

TECHNICAL DATA

- COMBINATION EYE/FACE WASH AND SAFETY DRENCH SHOWER
- PUSH-TO-ACTIVATE OR HAND-FOOT CONTROL BALL VALVE THAT STAYS OPEN UNTIL MANUALLY CLOSED
- DUAL HIGH IMPACT ABS PLASTIC SPRAY HEADS IN HIGH VISIBILITY YELLOW
- INTEGRAL DUST COVERS FOR SPRAY HEADS THAT RELEASE WHEN VALVE IS ACTIVATED

- STAINLESS STEEL BOWL
- INSTANT ACTION PULL TO OPERATE BALL VALVE
- ABS PLASTIC SHOWER HEAD IN HIGH VISIBILITY YELLOW
- STAINLESS STEEL PULL ROD WITH TRIANGULAR HANDLE
- HIGH VISIBILITY EMERGENCY SIGN
- MEETS ANSI Z358.1
- FINISH: NO FINISH

DATE: 4-12-02

BY: JAR

CHK'D:

APP'D:

REV: A

9203

ROUGHING IN DIMENSIONS MAY VARY AND ARE SUBJECT TO CHANGE. NO RESPONSIBILITY IS ASSUMED FOR USE OF SUPERCEDED OR VOIDED DATA.