



T&S BRASS AND BRONZE WORKS, INC.

2 Saddleback Cove / P.O. Box 1088
Travelers Rest, SC 29690



REG. #A2601
ISO #9001

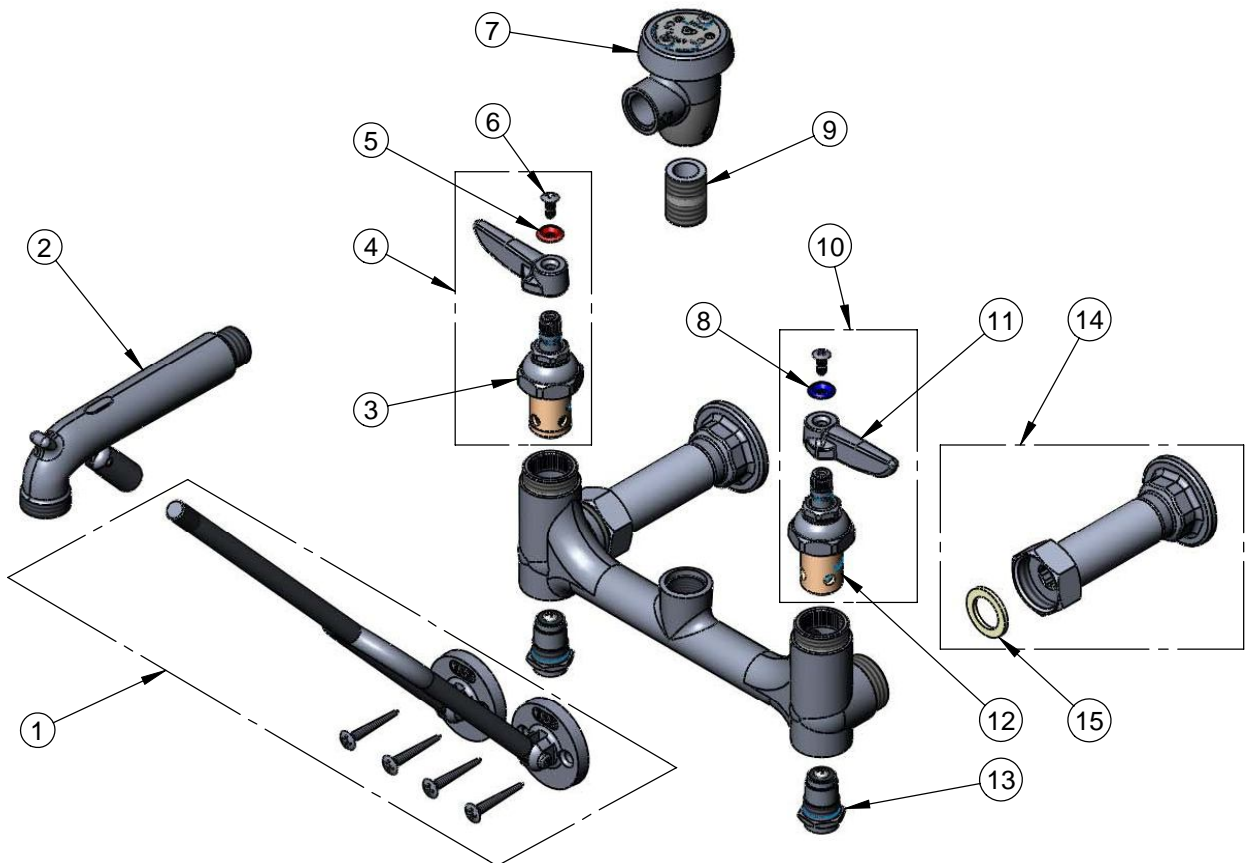
Model No.

B-0655-BSTP

Item No.

Travelers Rest, SC: 800-476-4103 Simi Valley, CA: 800-423-0150 Fax: 864-834-3518 www.tsbrass.com

ITEM NO.	SALES NO.	DESCRIPTION
1	009616-40	Lower Wall Support Assembly w/ Mounting Screws
2	016450-40	Spout Assembly Polished Chrome w/ Bottom Support Clevis
3	012443-40	Hot Eterna Spindle Assembly w/ Spring Check
4	002712-40	Hot Eterna Spindle Assembly w/ Spring Check, Handle, Index & Screw
5	001661-45	Red Index-HW
6	000922-45	Lever Handle Screw
7	B-0969	Vacuum Breaker, 1/2"
8	001660-45	Blue Index-CW
9	002534-25	Close Nipple, 1/2" x 1 5/32" Lg Rough Chrome
10	002711-40	Cold Eterna Spindle Assembly w/ Spring Check, Handle, Index & Screw
11	001638-45	Lever Handle
12	012442-40	Cold Eterna Spindle Assembly w/ Spring Check
13	163A	BST Assembly, 163A
14	B-0441	1/2" x 4" Extension Flange Inlet
15	001019-45	Coupling Nut Washer



Product Specifications:

Service Sink Faucet, Polished Chrome Finish, Built-In Stops, Lever Handles, Lower Wall Brace Assembly, 1/2" NPT Female Extended Inlets & Plain Outlet

Drawn DHL	Checked JRM	Approved JHB
Scale: 1:4		Date: 08/13/08