

## FEATURES

### Model LK500HA10L2

- One hole dual handle top mount faucet
- Quarter turn ceramic disc cartridge
- Solid brass construction
- Chrome finish
- Includes spout swing restriction pin

### Model LK500HA10T4

- Same as LK500HA10L2 except with 4" wrist blades handles

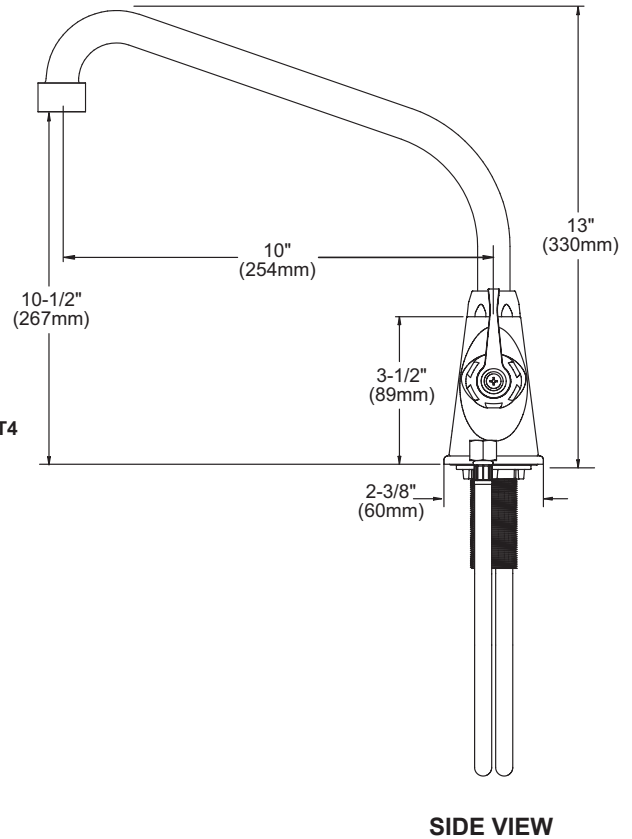
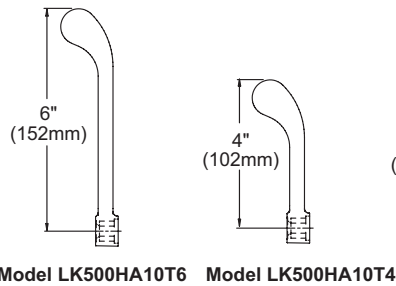
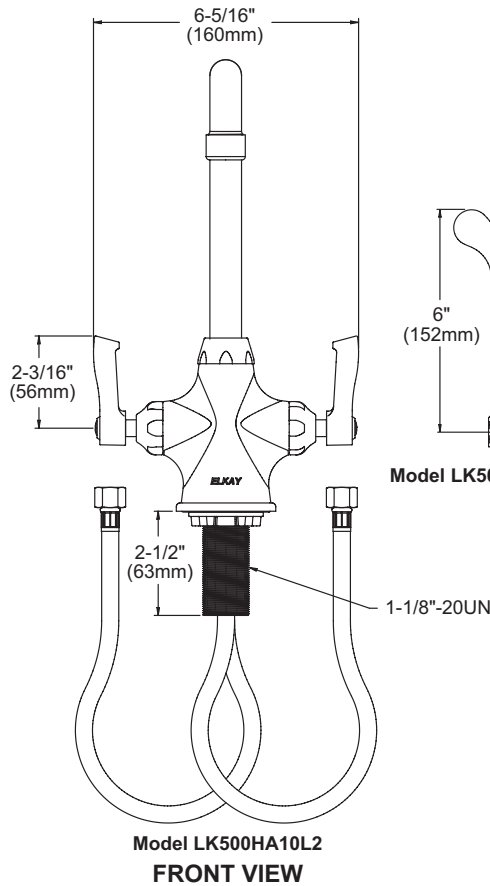
### Model LK500HA10T6

- Same as LK500HA10L2 except with 6" wrist blades handles

## COMPLIES WITH:

- ASME/ANSI A112.18.1
- CSA B125-01
- NSF/ANSI 61
- ADA
- UPC/CUPC
- IAPMO Listed

## Concealed Deck Commercial Faucet Models LK500HA10L2, LK500HA10T4, LK500HA10T6



Job Name:	Item #:
Notes:	
Architect/Engineer Approval:	Date:

SEE OTHER SIDE FOR REPLACEMENT PARTS