

JOB NAME

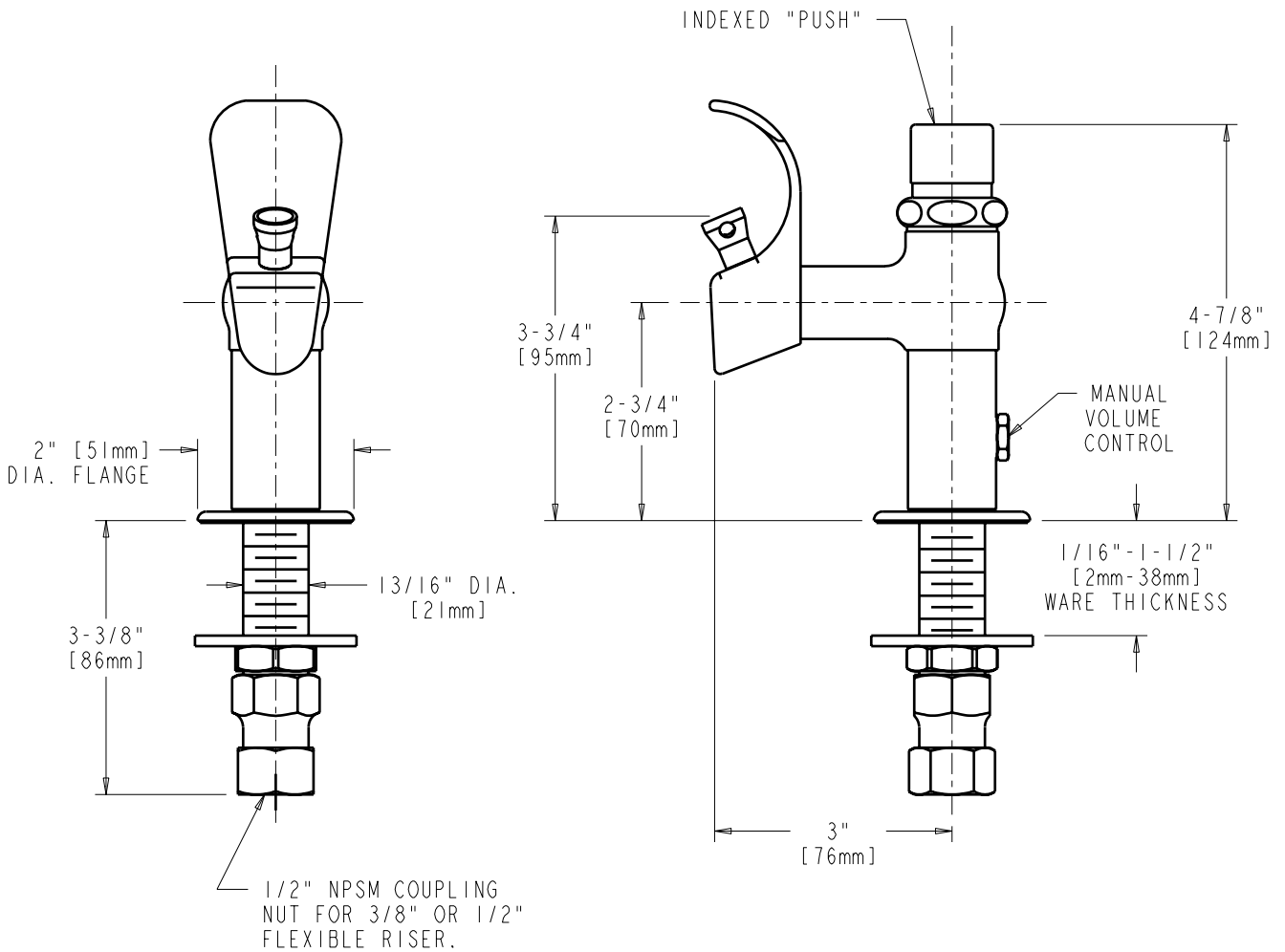
ITEM NO.

SUBMITTED AS SHOWN

SUBMITTED AS NOTED

SEE ATTACHED FOR
 SUBMITTED MODIFICATION

ROUGHING IN DIMENSIONS MAY VARY AND ARE SUBJECT TO CHANGE. NO RESPONSIBILITY IS ASSUMED FOR USE OF SUPERCEDED OR VOIDED DATA.



TECHNICAL DATA

- DRINKING FOUNTAIN
- 333-XBPSH PUSH BUTTON HANDLE
- NAIAD SELF-CLOSING CARTRIDGE
- MANUAL VOLUME CONTROL
- FINISH: CHROME PLATE

- 0.7 GPM [2.6 L/min] FLOW CONTROL
- ASME A112.18.1M COMPLIANT
- CSA B125 COMPLIANT
- NSF 61 COMPLIANT

DATE: 05-07-02

BY: JAR

CHK'D:

APP'D:

REV: 8-30-06

748