



**T&S BRASS AND BRONZE WORKS, INC.**

2 Saddleback Cove / P.O. Box 1088  
Travelers Rest, SC 29690



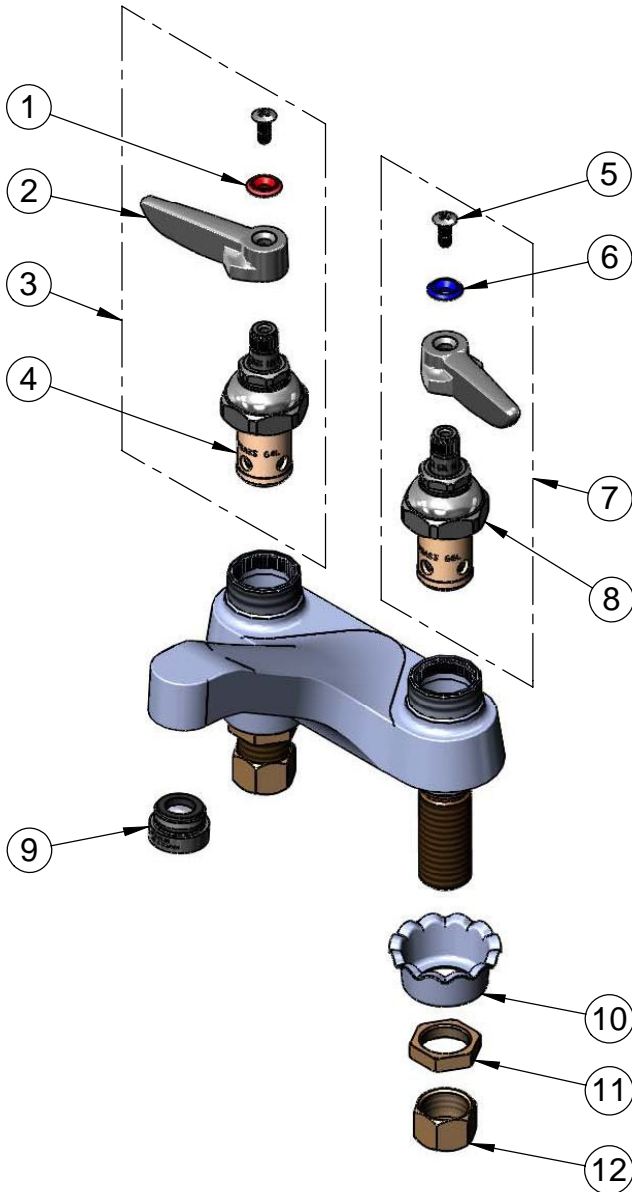
REG. #A2601  
ISO #9001

Model No.

**B-0871-VF05**

Item No.

Travelers Rest, SC: 800-476-4103 Simi Valley, CA: 800-423-0150 Fax: 864-834-3518 www.tsbrass.com



ITEM NO.	SALES NO.	DESCRIPTION
1	001661-45	Red Index-HW
2	001638-45	Lever Handle
3	002714-40	Hot Eterna Spindle Asm w/ Handle, Index & Screw
4	005960-40	Spindle Asm, Eterna "Hot"
5	000922-45	Lever Handle Screw
6	001660-45	Blue Index-CW
7	002713-40	Cold Eterna Spindle Asm w/ Handle, Index & Screw
8	005959-40	Spindle Asm, Eterna "Cold"
9	B-0199-31VR	0.5 GPM VR Spray Device, 13/16-27 Male
10	001000-45	Rosette Washer
11	002954-45	Shank Lock Nut
12	000958-20	Coupling Nut



Q015425-45  
Vandal Resistant Key  
(Included with Spray Device)

Product Specifications:

4" Centerset Commercial Mixing Faucet with Eterna Cartridges, Lever Handles and 0.5 GPM Vandal Resistant Non-Aerated Spray Device

Drawn	Checked	Approved
DMH	GEF	JHB
Scale:		Date:
NTS		02/04/10