

SPEAKMAN®

SEF-9200-ILR

INSTALLATION INSTRUCTIONS

OPTION #1- WITH FAUCET & SINK

- 1) Turn the cold water stop to the off position. Remove the cold water riser pipe or hose.
- 2) Install the 3/8 compression hose, tee, and the 3/8 x 1/2 compression hose as shown in the diagram on the back of this page. Wrench tighten connections.
- 3) Unscrew the vacuum breaker from the eyewash assembly and connect it to the tee under the sink. Use the teflon tape supplied for this connection. Wrench tighten.

Note- Make sure the faucet has an outlet device installed that meets the state & local plumbing code flow requirements.

OPTION #2- WITH COLD STOP ONLY

- 1) Make sure the cold water stop is in the off position. Install the 3/8 compression hose and 3/8 compression x 3/8 pipe adapter as shown in the diagram on the back of this page. Wrench tighten connections.
- 2) Unscrew the vacuum breaker from the eyewash assembly and connect it to the adapter. Use the teflon tape supplied for this connection. Wrench tighten.

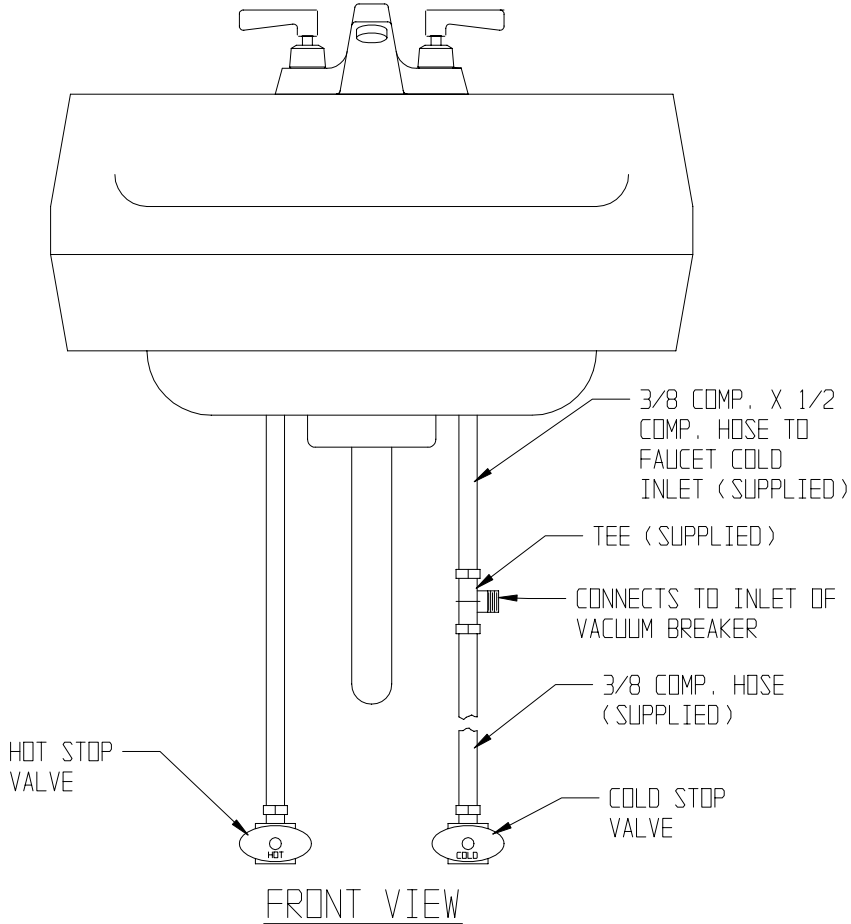
BOTH OPTIONS

- 1) Install the eyewash bracket (see the roughing-in diagram & step 2e & 3 of the SEF-9200 installation instructions supplied with this unit). Make sure the location of the bracket is close enough for the hose to be connected to the vacuum breaker.
- 2) Connect the eyewash hose to the vacuum breaker. Wrench tighten.
- 3) Make sure the installed flex hose(s) is not kinked. Use the supplied nylon ties to position & secure the hose(s) and fitting.
- 4) Make sure the eyewash valve is in the off position (see page 4 of the SEF-9200 installation instructions) and turn the cold water stop to the on position. Taking the eyewash unit from the wall bracket, point the unit down in the sink or a bucket and test unit. Place the unit back in the bracket.
- 5) Check all the connection for leaks.

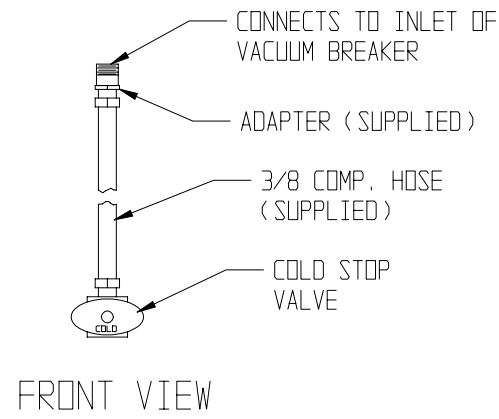
NOTE- BEFORE STARTING THE INSTALLATION, TURN COLD WATER STOP VALVE OFF & REMOVE EXISTING RISER PIPE OR HOSE.

OPTION #1- WITH FAUCET & SINK

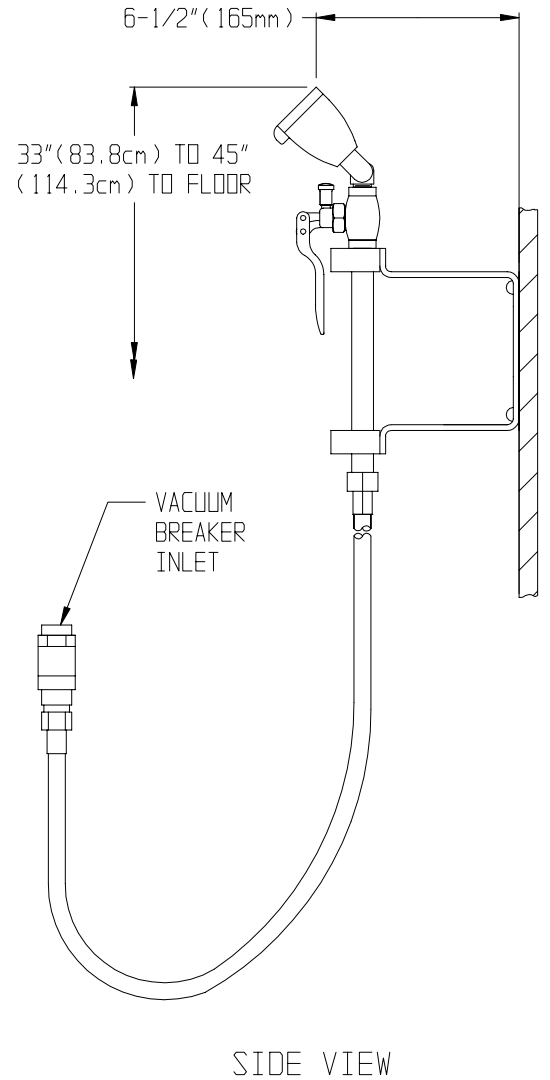
NOTE- BEFORE STARTING THE INSTALLATION, REMOVE THE EXISTING COLD WATER RISER PIPE OR HOSE



OPTION #2- WITH COLD STOP ONLY



TWIN SPRAY EYEWASH ASSEMBLY



NOTE- ALL DIMENSIONS ARE IN INCHES (MILLIMETER) UNLESS OTHERWISE SPECIFIED AND ARE SUBJECT TO CHANGE WITHOUT NOTICE.