

## FEATURES

### Model LK500GN05L2

- One hole dual handle top mount faucet
- Quarter turn ceramic disc cartridge
- Solid brass construction
- Chrome finish
- Includes spout swing restriction pin

### Model LK500GN05T4

- Same as LK500GN05L2 except with 4" wrist blades handles

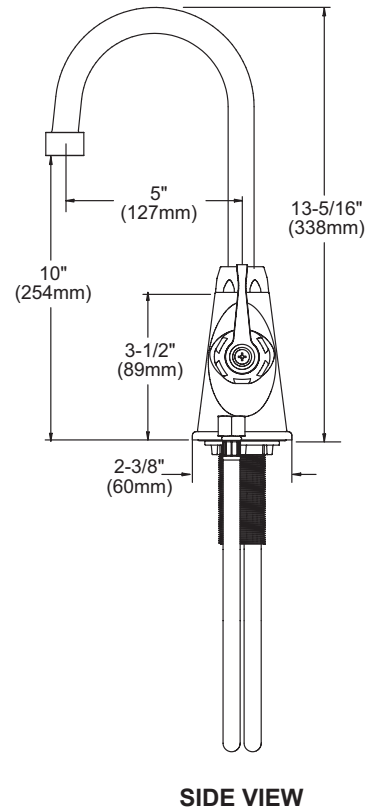
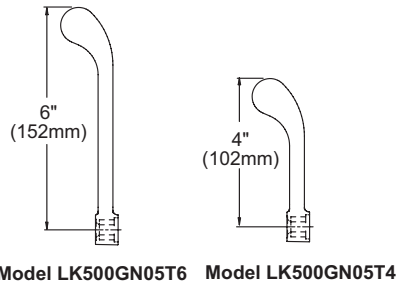
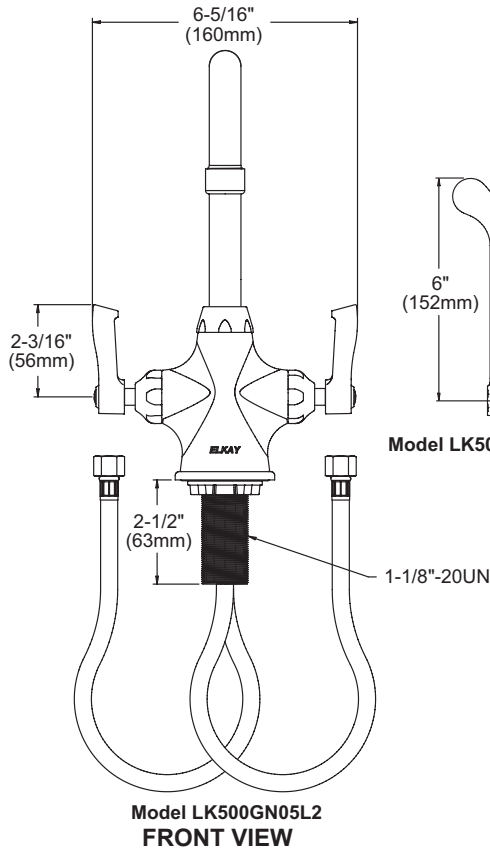
### Model LK500GN05T6

- Same as LK500GN05L2 except with 6" wrist blades handles

## COMPLIES WITH:

- ASME/ANSI A112.18.1
- CSA B125-01
- NSF/ANSI 61
- ADA
- UPC/CUPC
- IAPMO Listed

## Concealed Deck Commercial Faucet Models LK500GN05L2, LK500GN05T4, LK500GN05T6



|                                     |                |
|-------------------------------------|----------------|
| <b>Job Name:</b>                    | <b>Item #:</b> |
| <b>Notes:</b>                       |                |
| <b>Architect/Engineer Approval:</b> | <b>Date:</b>   |

SEE OTHER SIDE FOR REPLACEMENT PARTS