

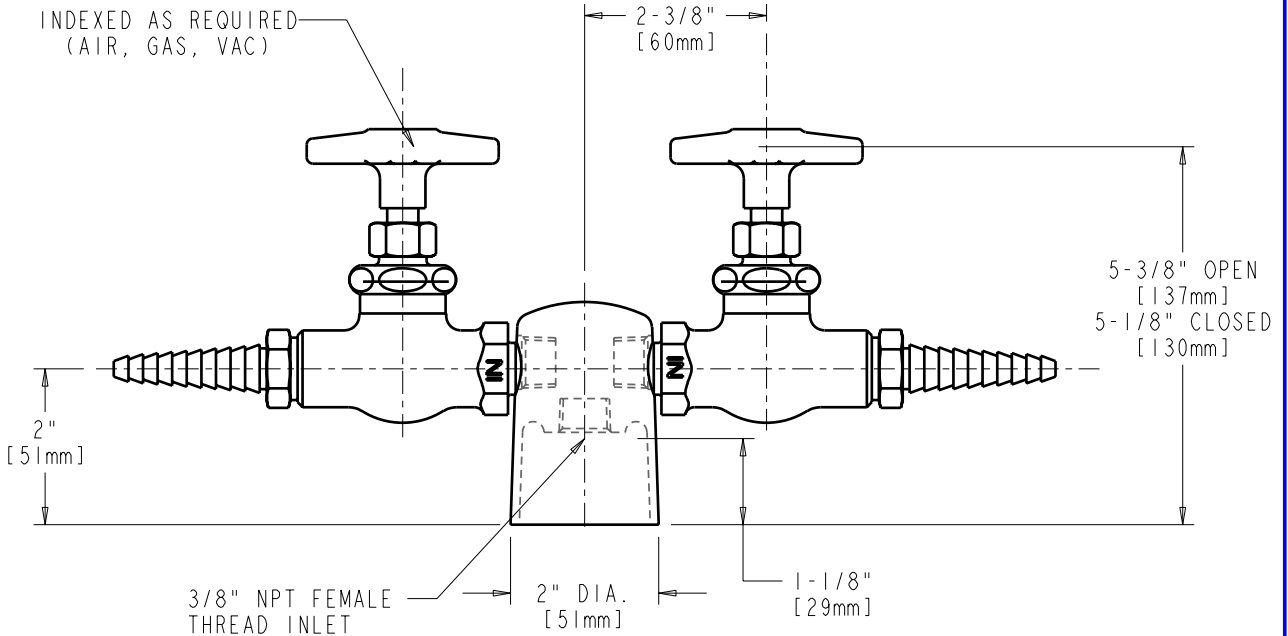
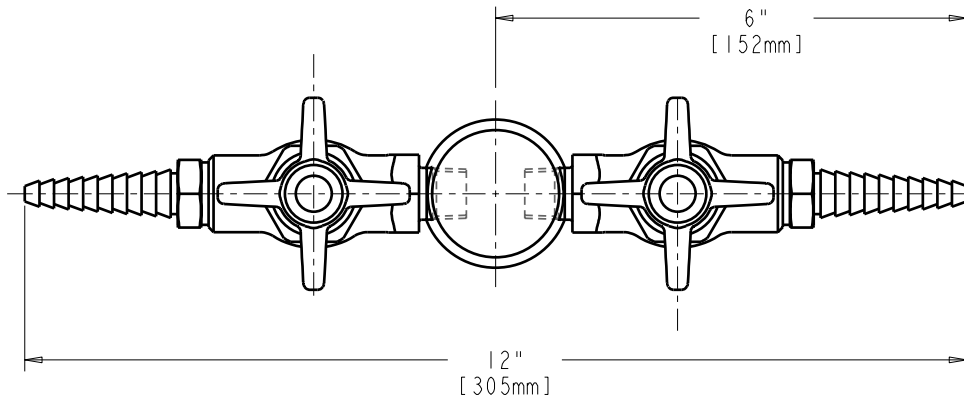
JOB NAME

ITEM NO.

SUBMITTED AS SHOWN

SUBMITTED AS NOTED

SEE ATTACHED FOR
SUBMITTED MODIFICATION



ROUGHING IN DIMENSIONS MAY VARY AND ARE SUBJECT TO CHANGE. NO RESPONSIBILITY IS ASSUMED FOR USE OF SUPERCEDED OR VOIDED DATA.

TECHNICAL DATA

- TURRET WITH TWO NEEDLE VALVES AT 180°
- E7T REMOVABLE SERRATED HOSE NOZZLE
- 204 CROSS HANDLE WITH AIR, GAS AND VACUUM SERVICE BUTTONS
- 0.5-125 PSI MAXIMUM OPERATING PRESSURE
- FINISH: CHROME PLATE

DATE: 5-21-02

BY: JAR

CHK'D:

APP'D:

REV: A

981-937CHAGV