

JOB NAME

ITEM NO.

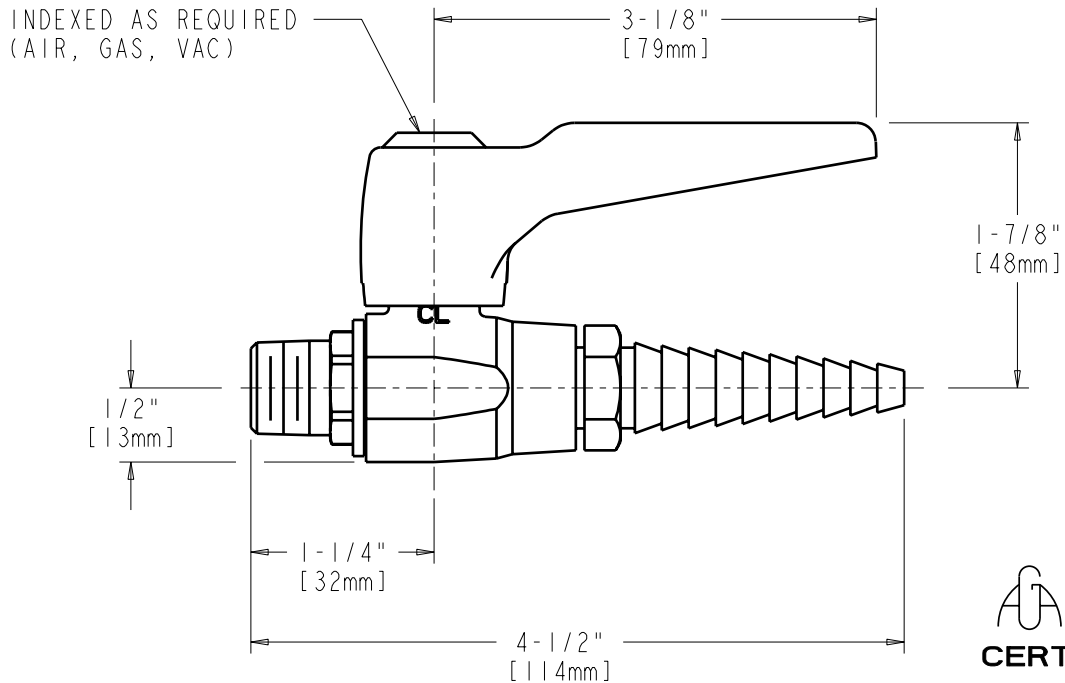
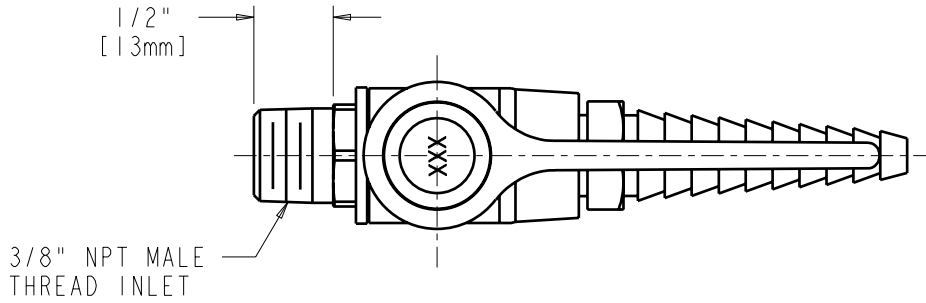
SUBMITTED AS SHOWN

SUBMITTED AS NOTED

SEE ATTACHED FOR
SUBMITTED MODIFICATION



ADA COMPLIANT



TECHNICAL DATA

- GAS BALL VALVE WITH 3/8" NPT MALE THREAD INLET
- E7 REMOVABLE SERRATED HOSE NOZZLE OUTLET
- LEVER HANDLE WITH INDEX BUTTON (SPECIFY INDEX)
- FINISH: CHROME PLATE

- FOR USE WITH 0.5-125 PSI
MAXIMUM WORKING PRESSURE
- ANSI Z21.5a
- CGA9.1M

DATE: 05-23-02

BY: SID

CHK'D:

APP'D:

REV: A

909-AGV

ROUGHING IN DIMENSIONS MAY VARY AND ARE SUBJECT TO CHANGE. NO RESPONSIBILITY IS ASSUMED FOR USE OF SUPERCEDED OR VOIDED DATA.