



T&S BRASS AND BRONZE WORKS, INC.

2 Saddleback Cove / P.O. Box 1088
Travelers Rest, SC 29690



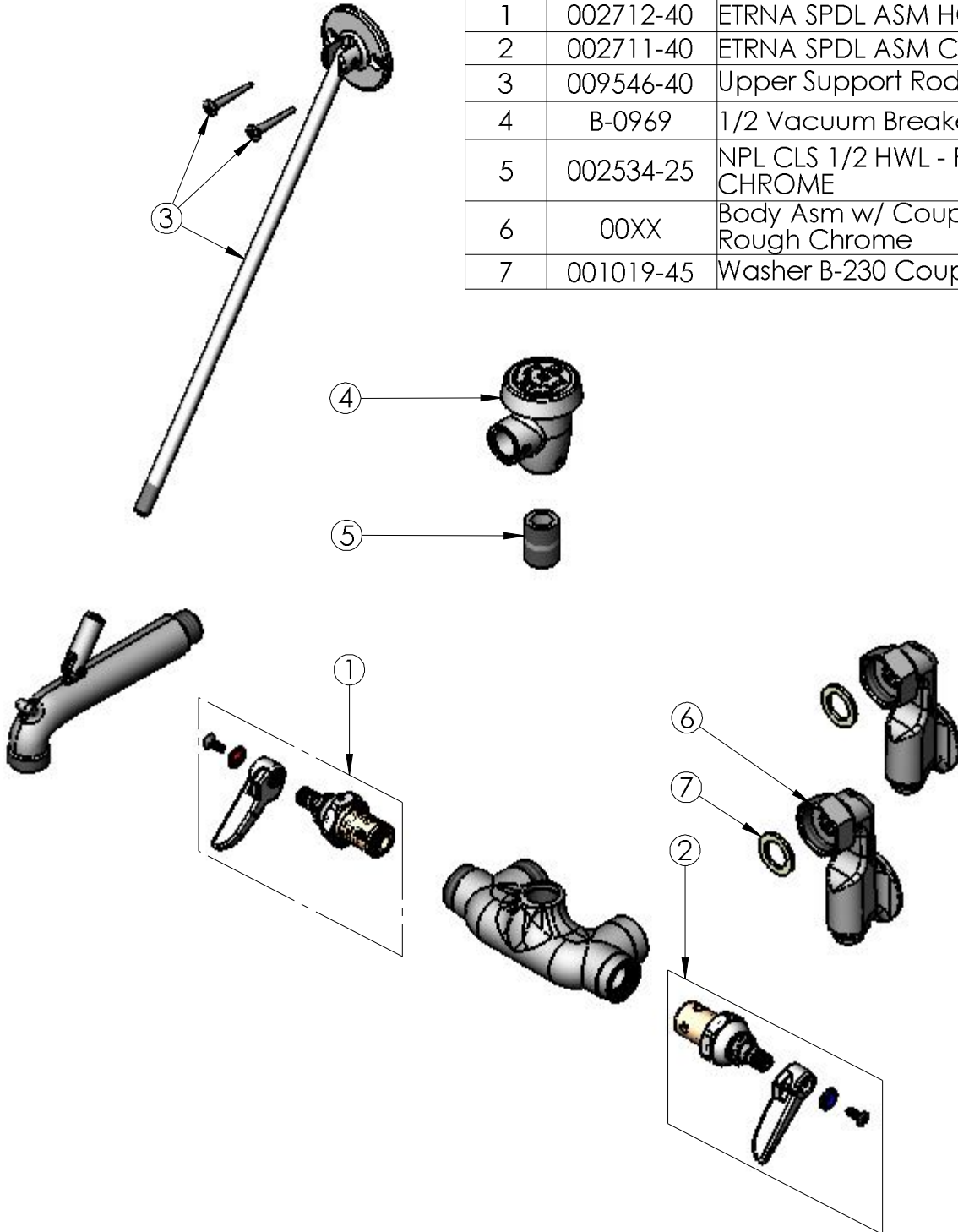
REG. #A2601
ISO #9001

Model No.
B-0667-RGH

Item No.

Travelers Rest, SC: 800-476-4103 Simi Valley, CA: 800-423-0150 Fax: 864-834-3518 www.tsbrass.com

ITEM	SALES NO.	DESCRIPTION
1	002712-40	ETRNA SPDL ASM HOT
2	002711-40	ETRNA SPDL ASM COLD
3	009546-40	Upper Support Rod Asm.
4	B-0969	1/2 Vacuum Breaker
5	002534-25	NPL CLS 1/2 HWL - ROUGH CHROME
6	00XX	Body Asm w/ Coupling Nut - Rough Chrome
7	001019-45	Washer B-230 Coupling Nut



Product Specifications:

Service Sink, Inlet Stops, Spring Check Cartridges,
Lever Handles, Rough Chrome

Drawn DHL	Checked GEF	Approved JHB
Scale: 1:4		Date: 06/02/06