



# TRADITIONAL DRINKING FOUNTAINS

## Classic Series

### MODEL M-C76-1 OLD STYLE PEDESTAL DRINKING FOUNTAIN WITH ONE BOWL ON ARM

#### STANDARD FEATURES

Model M-C76-1 Old Style is a drinking fountain of Victorian-era design that complies with ADA regulations. This unit features a single fountain bowl mounted on an arm for the disabled. The fountain is operated by a push-button control. Standard model is seasonal, not freeze resistant. Heavy-duty cast iron construction with cast brass bowl ensures trouble-free reliability and easy maintenance.

#### SUGGESTED SPECIFICATIONS

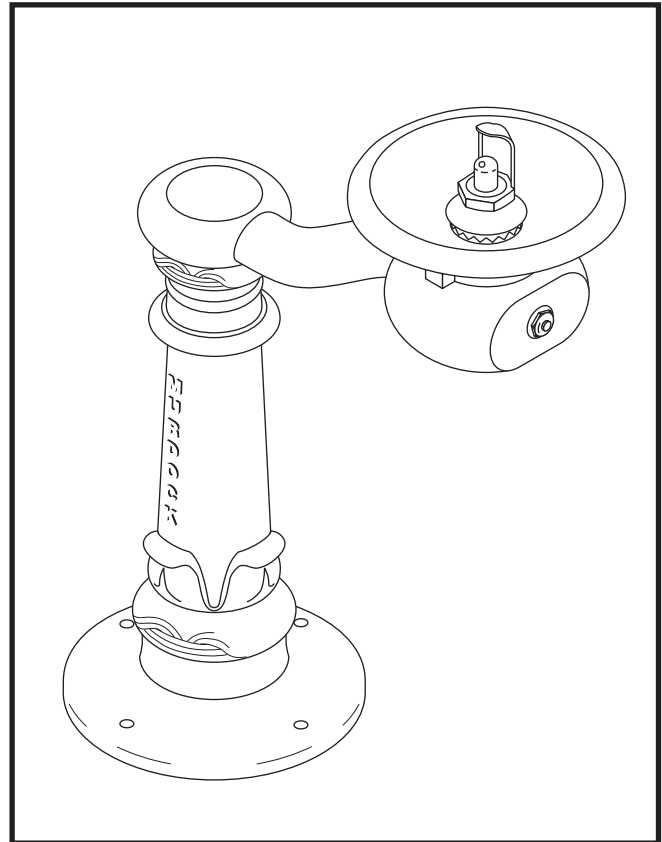
Drinking fountain shall be Murdock-Super Secur model M-C76-1 Old Style. Unit shall be furnished with one fountain bowl mounted on an arm to accommodate access by those with disabilities.

Pedestal and arm shall be heavy iron castings extending from grade level to bowl. Pedestal shall be embossed with a decorative filigree. Base of pedestal shall have four mounting holes. Pedestal and arm shall be finished with a heavy grade of oil-based black enamel.

Arm shall extend a minimum of 19 inches from pedestal and have a clearance of 27 inches from grade level to bowl support.

Bowl shall be a round, polished solid brass casting. Drain opening in bowl shall be adequately protected from stoppage or vandalism. Bubbler shall be polished solid brass casting with angle stream outlet at center of bowl and above bowl rim. Mouth guard shall be polished solid brass casting to meet sanitary requirements. All solid brass castings shall conform to ASTM standards B61 and B62. Lead-free castings are used in all waterways.

Valve shall be push-button operated, incorporating a replaceable cartridge. Supply line shall be 3/8 inch poly-braid tubing, FDA approved for drinking water and able to withstand 300 psi pressure.



**Standard Model:** M-C76-1

#### DEPTH OF BURY

*(additional costs may be incurred)*

- |   |   |
|---|---|
| <input type="checkbox"/> 2 ft. (61 cm)    | <input type="checkbox"/> 5 ft. (152.4 cm) |
| <input type="checkbox"/> 3 ft. (91.4 cm)  | <input type="checkbox"/> 6 ft. (182.9 cm) |
| <input type="checkbox"/> 4 ft. (121.9 cm) |   |
| <input type="checkbox"/> Other _____      |   |

#### OPTIONS

*(additional costs may be incurred)*

- AVAF Year-round freeze resistant\*
- PF Pushbutton pet fountain\*
- Polished brass bowl and bubbler (standard)
- Chrome plated bowl and bubbler
- **Black** Pedestal color black (standard)
- **Brown** Pedestal color brown
- **Green** Pedestal color green

*Custom color finishes available upon request.*

*\* See separate option sheets*

Please visit [www.murdock-supersecur.com](http://www.murdock-supersecur.com)  
for most current specifications.

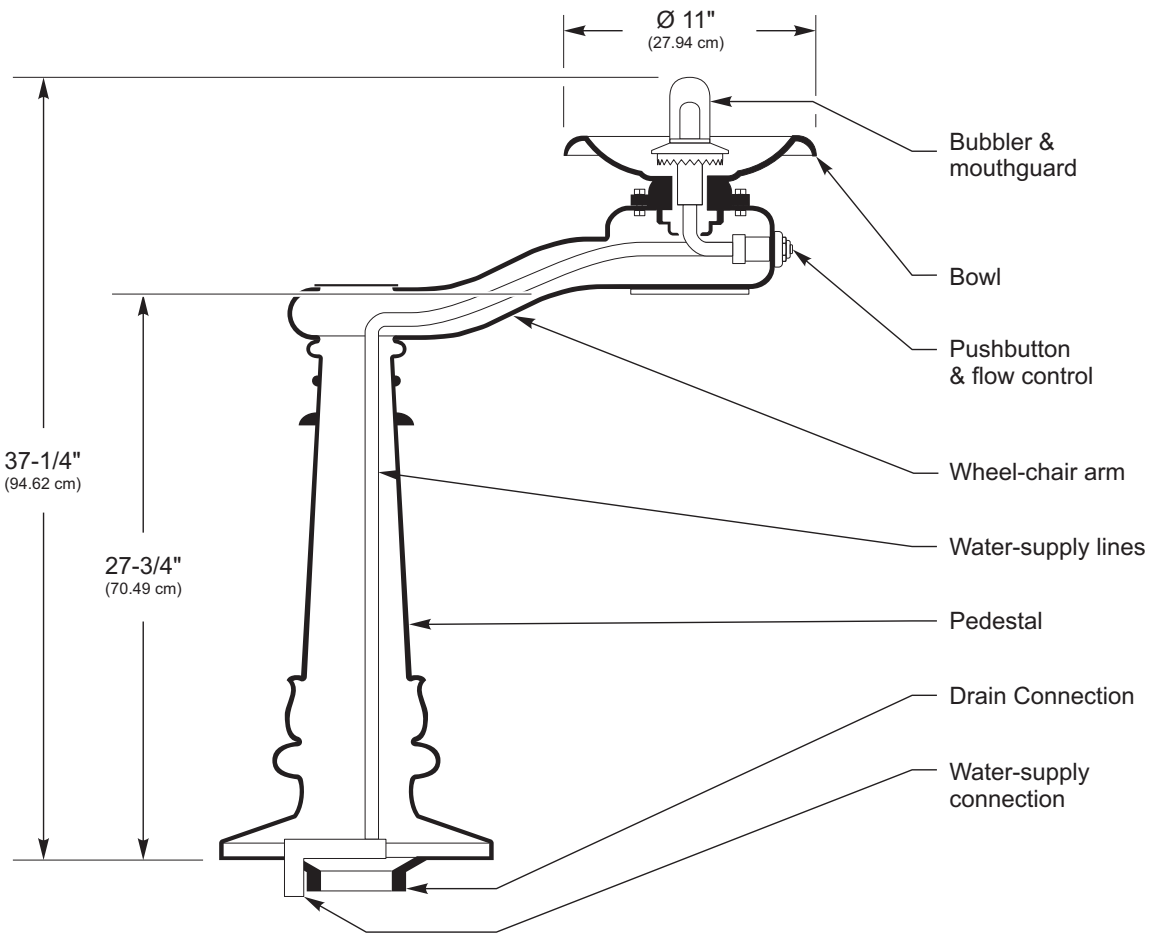
**MURDOCK-SUPER SECUR** A Member of Acorn Engineering's Family of Companies  
15125 Proctor Avenue • City of Industry, CA 91746 USA • Phone 800-591-9880 or 626-333-2543 • Fax 626-855-4860



# TRADITIONAL DRINKING FOUNTAINS

## Classic Series

### MODEL M-C76-1 OLD STYLE PEDESTAL DRINKING FOUNTAIN WITH ONE BOWL ON ARM



**ONE YEAR LIMITED WARRANTY** - Parts are warranted for one (1) year from date of shipment.

#### SELECTION SUMMARY & APPROVAL FOR MANUFACTURING

All dimensions are nominal and subject to manufacturer's change without notice. Murdock-Super Secur assumes no responsibility for use of void or suspended data. © Copyright 2006, Murdock-Super Secur, a division of Acorn Engineering Company. Please visit [www.murdock-supersecur.com](http://www.murdock-supersecur.com) for most current specifications.

Model Numbers & Options \_\_\_\_\_ Quantity \_\_\_\_\_

Company \_\_\_\_\_ Date \_\_\_\_\_

Contact \_\_\_\_\_ Title \_\_\_\_\_

Approval for Manufacturing/Signature \_\_\_\_\_

**MURDOCK-SUPER SECUR** A Member of Acorn Engineering's Family of Companies  
15125 Proctor Avenue • City of Industry, CA 91746 USA • Phone 800-591-9880 or 626-333-2543 • Fax 626-855-4860