



# T&S BRASS AND BRONZE WORKS, INC.

2 Saddleback Cove / P.O. Box 1088  
Travelers Rest, SC 29690



REG. #A2601  
ISO #9001

Model No.  
**B-0507**

Item No.

Travelers Rest, SC: 800-476-4103 Simi Valley, CA: 800-423-0150 Fax: 864-834-3518 www.tsbrass.com

This Space for Architect/Engineer Approval

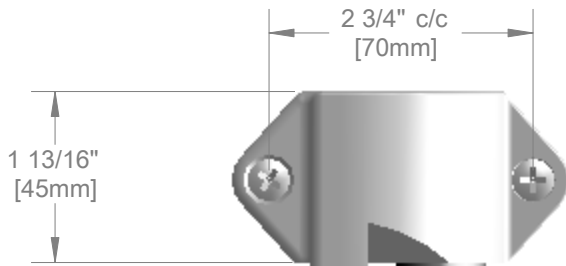
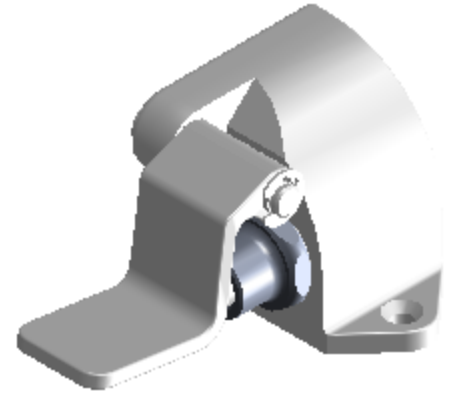
Job Name \_\_\_\_\_ Date \_\_\_\_\_

Model Specified \_\_\_\_\_ Quantity \_\_\_\_\_

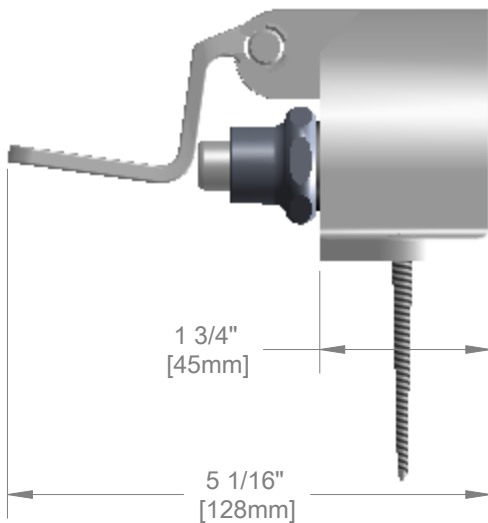
Customer/Wholesaler \_\_\_\_\_

Contractor \_\_\_\_\_

Architect/Engineer \_\_\_\_\_

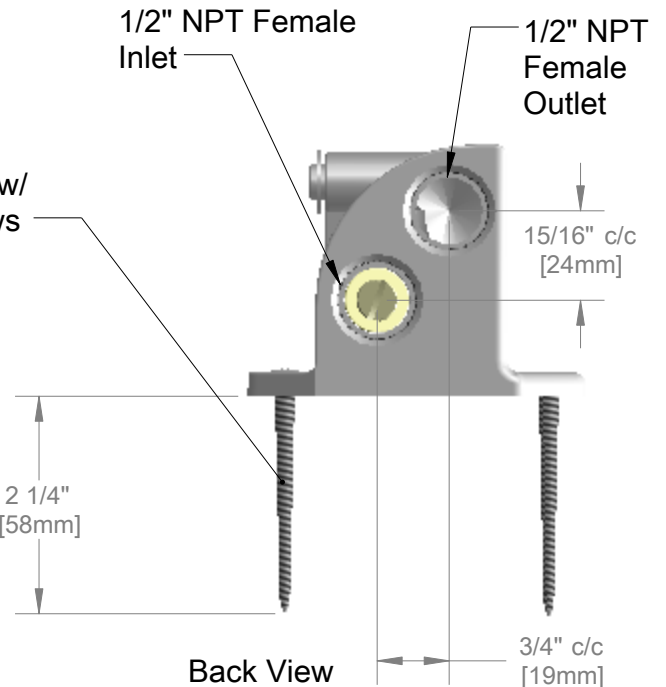


Solid Brass Pedal



Side View

Furnished w/  
Mtg. Screws



Back View

Product Specifications:  
Single Foot Pedal Valve w/ 1/2" NPT  
Female Inlet & Outlet

Drawn  
WJS

Checked  
JRM

Approved  
JHB

Scale:

1:2

Date:

12/04/06



# T&S BRASS AND BRONZE WORKS, INC.

2 Saddleback Cove / P.O. Box 1088  
Travelers Rest, SC 29690



REG. #A2601  
ISO #9001

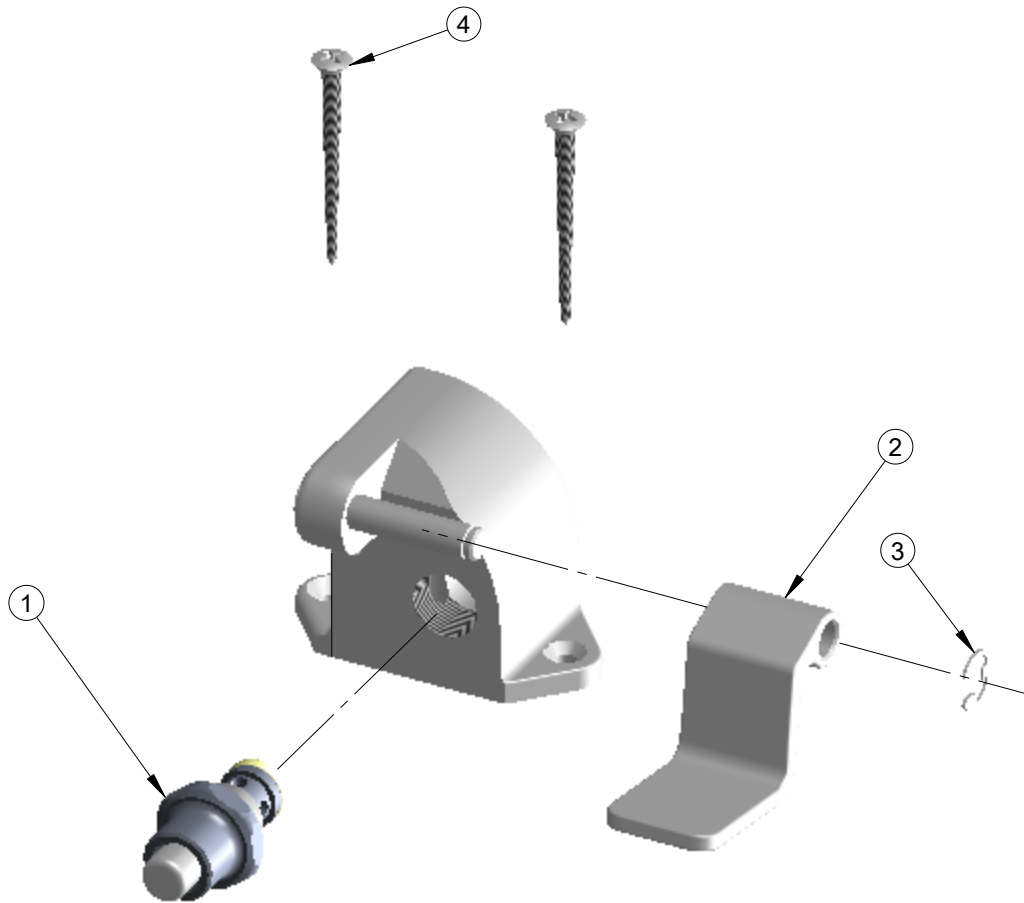
Model No.

**B-0507**

Item No.

Travelers Rest, SC: 800-476-4103    Simi Valley, CA: 800-423-0150    Fax: 864-834-3518    www.tsbrass.com

ITEM	PART NO.	DESCRIPTION
1	005312-40	Bonnet Asm
2	000090-25	Foot Pedal
3	012512-45	Retaining Ring
4	003749-45	Foot Pedal Mtg. Screw



Product Specifications:

Single Foot Pedal Valve w/ 1/2" NPT  
Female Inlet & Outlet

Drawn WJS	Checked JRM	Approved JHB
Scale: 1:2		Date: 12/04/06