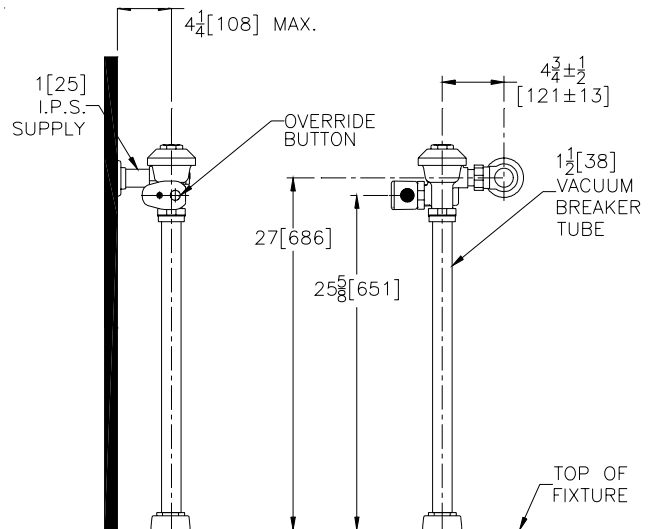




# Exposed ZR6000AV-3 Model Sensor Operated Battery Powered Flush Valve For Water Closets



**Flow Options**

- WS1** 1.6 Gal. Low Consumption
- FF** 4.5 Gal. Full Flush
- Standard Flush** 3.5 Gallons Per Flush

**Suffix Options (Check/Specify Appropriate Options)**

- \_\_\_\_\_ **-YJ** Split Ring Pipe Support
- \_\_\_\_\_ **-YK** Solid Ring Pipe Support
- \_\_\_\_\_ Other

**ENGINEERING SPECIFICATION: ZURN ZR6000AV-3 AquaSense 'AV' Exposed Closet Flush Valve** - Exposed, quiet diaphragm-type, chrome plated, flushometer valve with a polished exterior. Complete with Zurn's TPE chloramine resistant diaphragm with a clog resistant by-pass. The valve incorporates a 6VDC solenoid valve, a battery powered automatic sensor with manual override push button, a brass electronics housing with polished chrome plated exterior, high back pressure vacuum breaker, one piece hex coupling nut, adjustable tailpiece, spud coupling and flange for top spud connection. Control stop has internal siphon-guard protection, vandal resistant stop cap, sweat solder kit, and a cast wall flange with set screw. Internal seals are made of chloramine resistant materials.

Exposed, quiet diaphragm-type, chrome plated, flushometer valve with a polished exterior. Complete with Zurn's TPE chloramine resistant diaphragm with a clog resistant by-pass. The valve incorporates a 6VDC solenoid valve, a battery powered automatic sensor with manual override push button, a brass electronics housing with polished chrome plated exterior, high back pressure vacuum breaker, one piece hex coupling nut, adjustable tailpiece, spud coupling and flange for top spud connection. Control stop has internal siphon-guard protection, vandal resistant stop cap, sweat solder kit, and a cast wall flange with set screw. Internal seals are made of chloramine resistant materials.

This space is for Architectural/engineering Approval