



**T&S BRASS AND BRONZE WORKS, INC.**  
 2 SADDLEBACK COVE / P.O. BOX 1088 / TRAVELERS REST, SC 29690  
 PHONE 800-476-4103 - FAX 864- 834-3518



Model No.

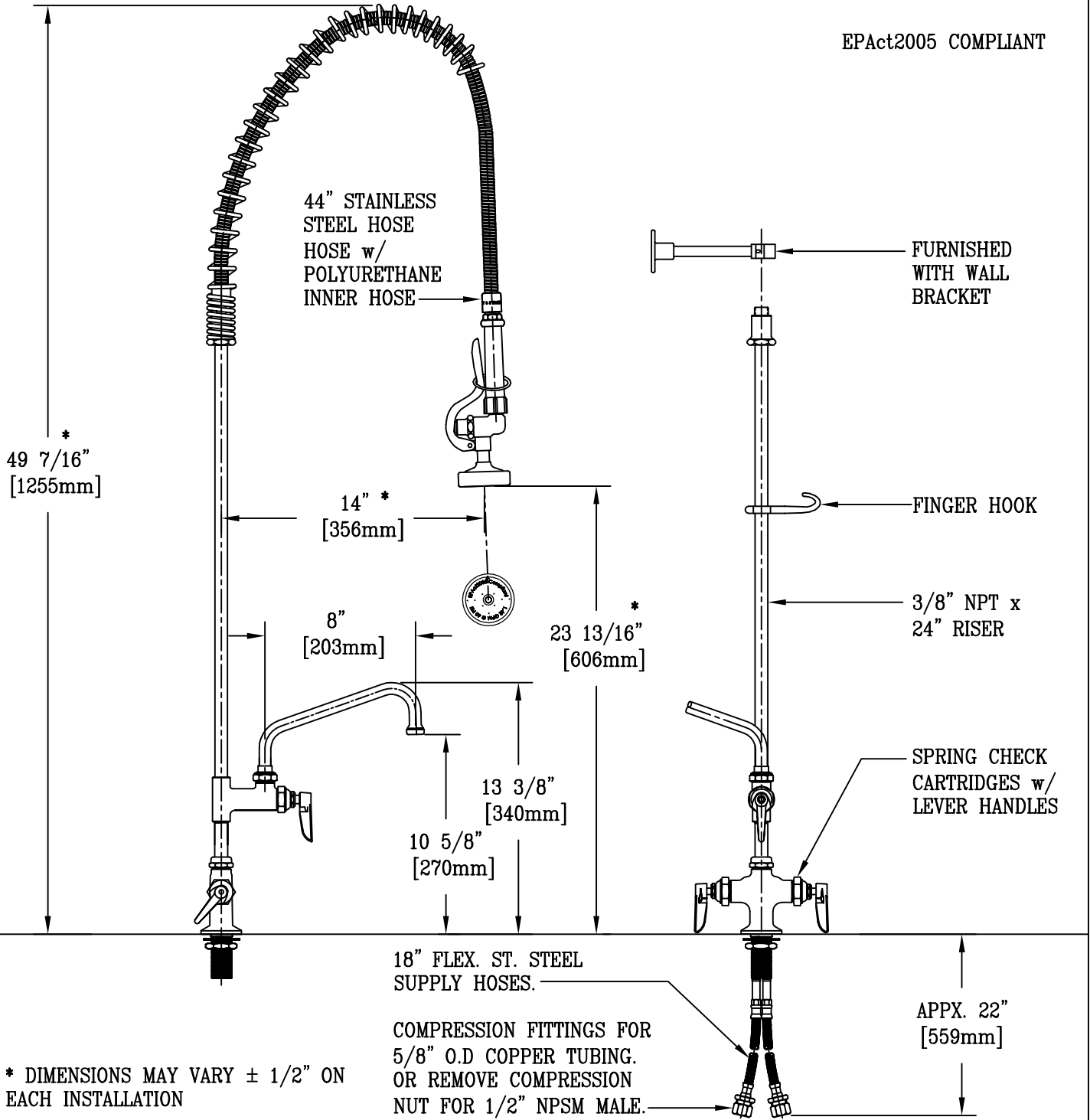
B-0113-ADF08-B

**RELIABILITY  
 BUILT IN**

Job Name:

Architect/Engineer Approval:

Notes:



Product Description:  
 EASY INSTALL PRE-RINSE UNIT:  
 SINGLE DECK MOUNT BASE MIXING FAUCET, FLEXIBLE SUPPLIES, ADD ON FCT.,  
 8" SWING NOZZLE, SUPPORT SPRING, 44" FLEX HOSE, SPRAY VALVE, WALL BRACKET

Drawn: RJK	Checked JRM	Scale: 1 : 8
Approved JHB	Date: 01/04/06	