



a Geberit company

2100 South Clearwater Drive
Des Plaines, IL 60018
Phone: 847-803-5000
Fax: 847-803-5454
www.chicagofaucets.com

ROUGH-IN

FITTING NO.

972-CTF

SUBMITTED MODEL NO.

BY: JAR

DATE: 11-02-07

CHK: *[Signature]*

REV:

FOR TECHNICAL ASSISTANCE
1-800-TEC-TRUE (1-800-832-8783)

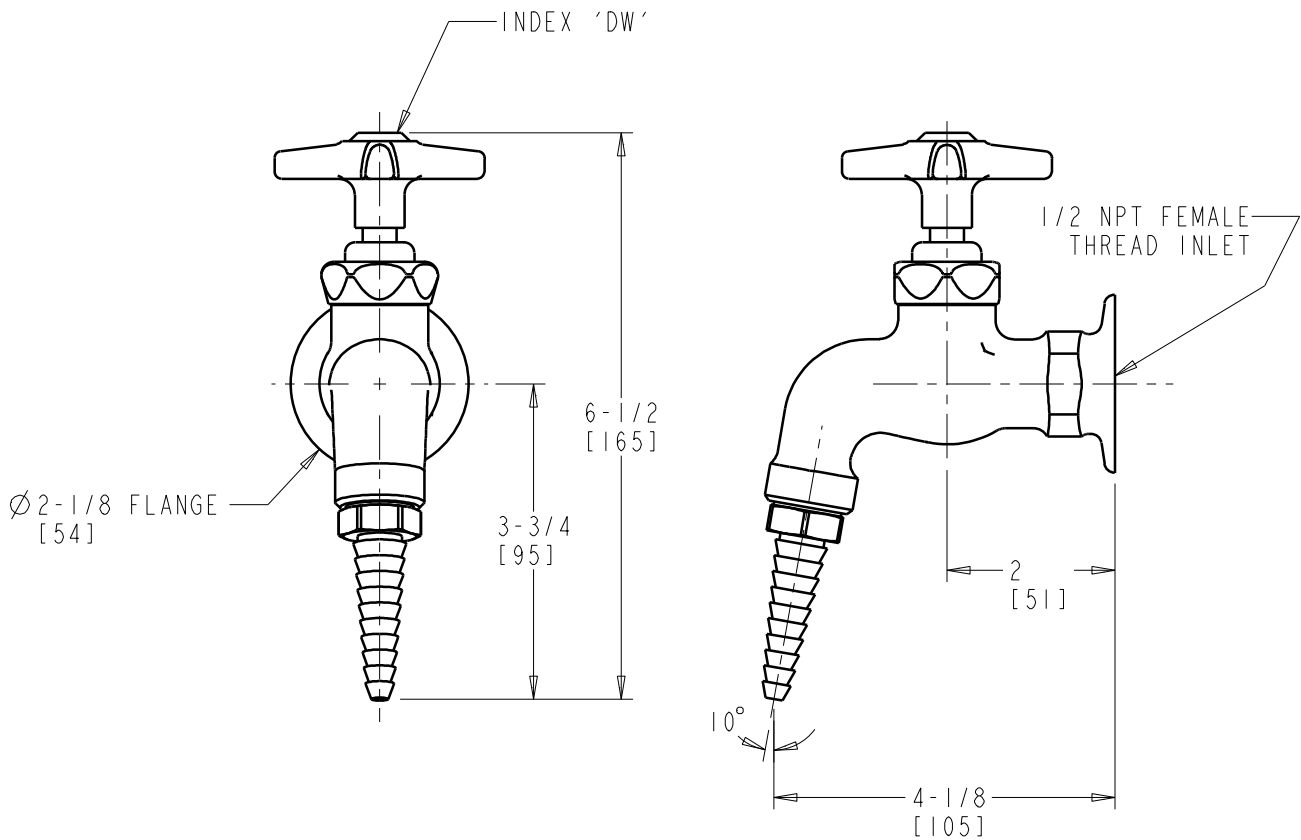
SUBMITTED AS SHOWN

SUBMITTED AS NOTED

SEE ATTACHED FOR
SUBMITTED MODIFICATION

JOB NAME

ITEM NO.



DIMENSIONS ARE IN INCHES AND [MILLIMETERS].

TECHNICAL DATA

- LABORATORY DISTILLED WATER FITTING
- 204 INDEXED 4-ARM HANDLE
- 826-X KLO-SELF OPERATING CARTRIDGE
- FINISH: POLISHED CHROME OUTSIDE - TIN INSIDE

- E7 REMOVABLE SERRATED NOZZLE OUTLET

ROUGHING IN DIMENSIONS MAY VARY AND ARE SUBJECT TO CHANGE. NO RESPONSIBILITY IS ASSUMED FOR USE OF SUPERCEDED OR VOIDED DATA.