



AquaCold

Free Standing Water Cooler, 8 GPH

SUGGESTED SPECIFICATIONS

Model A611108F is a self-contained, vandal resistant pressure water cooler that shall deliver a minimum of **8.0 GPH** (30.3 LPH) of water at 50°F (10°C) cooled from 80°F (26.7°C) inlet water and 90°F (32.2°C) ambient. Unit shall be activated by a self-closing push button which activates an internally mounted valve with an adjustable stream regulator controlling the water flow. Bubbler shall have a flexible guard with an integrally designed non-squirt feature and operate on water pressure range of 20 - 105 psig. Top shall be constructed from 304 stainless steel and have an integral drain. Cabinet shall be Granite powder coated on galvanized or stainless steel. Evaporator shall be insulated, tube on tank. Cooling system shall use R-134a refrigerant and be capillary tube controlled. An adjustable thermostat with an off position shall control the refrigeration system. Unit shall adhere to the requirements of ANSI/NSF 61, Section 9. Unit shall be listed by Underwriters Laboratories for both the US and Canada, compliant to the Air Conditioning and Refrigeration Institute Standard 1010.

Standard Model:
A611108F

Stainless Steel Model:
A611408F



Model A611108F Shown

STANDARD FEATURES

- Granite powder coated
- Flexible, anti-rotation non-squirt bubbler
- Copper tube on stainless steel tank evaporator
- 100 mesh inlet strainer
- Vandal resistant screws

Model Number	GPH*	Rated Watts	Full Load Amps	Approx. Shipping Weight
A611108F	8.0	400	4.8	70 lbs.
A611408F	8.0	400	4.8	70 lbs.

* GPH of 50°F water at 90°F ambient room temperature and 80°F inlet water temperature
Compressor motor operates on 115 Volt / 60 Hz single phase.



Member of
U.S. Green
Building
Council



Recyclable
Product



Water
Conserving
Product

OPTIONAL ACCESSORIES (additional costs)

- "B"** Polished chrome plated brass bubbler (Use model A611108**B**)
- EB4 Enclosed back
- FPO Foot pedal
- GF1 Glass filler
- HGF Hot water glass filler
- HP High polished stainless steel (Use model A611408F-**HP**)
- "P"** Push button polished chrome plated brass bubbler (Use model A611108**P**)
- "S"** Polished stainless steel, lead-free bubbler (Use model A611108**S**)
- WF1 1500 gallon capacity, NSF 42+53, 1 micron lead reduction filter
- 220V 220 volt / 50 Hz compressor (C **€**)
- "4"** All stainless steel (Use model A611408**F**)

Custom color finishes available upon request

Acorn Aqua™ assumes no responsibility for use of void or suspended data. © Copyright 2009 Acorn Aqua™, City of Industry, CA, A Division of Acorn Engineering Company. Please visit www.acornaqua.com for most current specifications.

Submittal # **A611108F**
[Sec. C] Rev. D 8/1/09

COMPLIES WITH
STANDARDS



ANSI / NSF 61.9



Test rating conditions are compliant with ARI 1010.



Member of Acorn
Family of Companies

ACORN AQUA
15125 Proctor Avenue
City of Industry, CA
91746 U.S.A.
Phone 800-591-9360
626-336-4561
Fax 626-855-4894
www.acornaqua.com

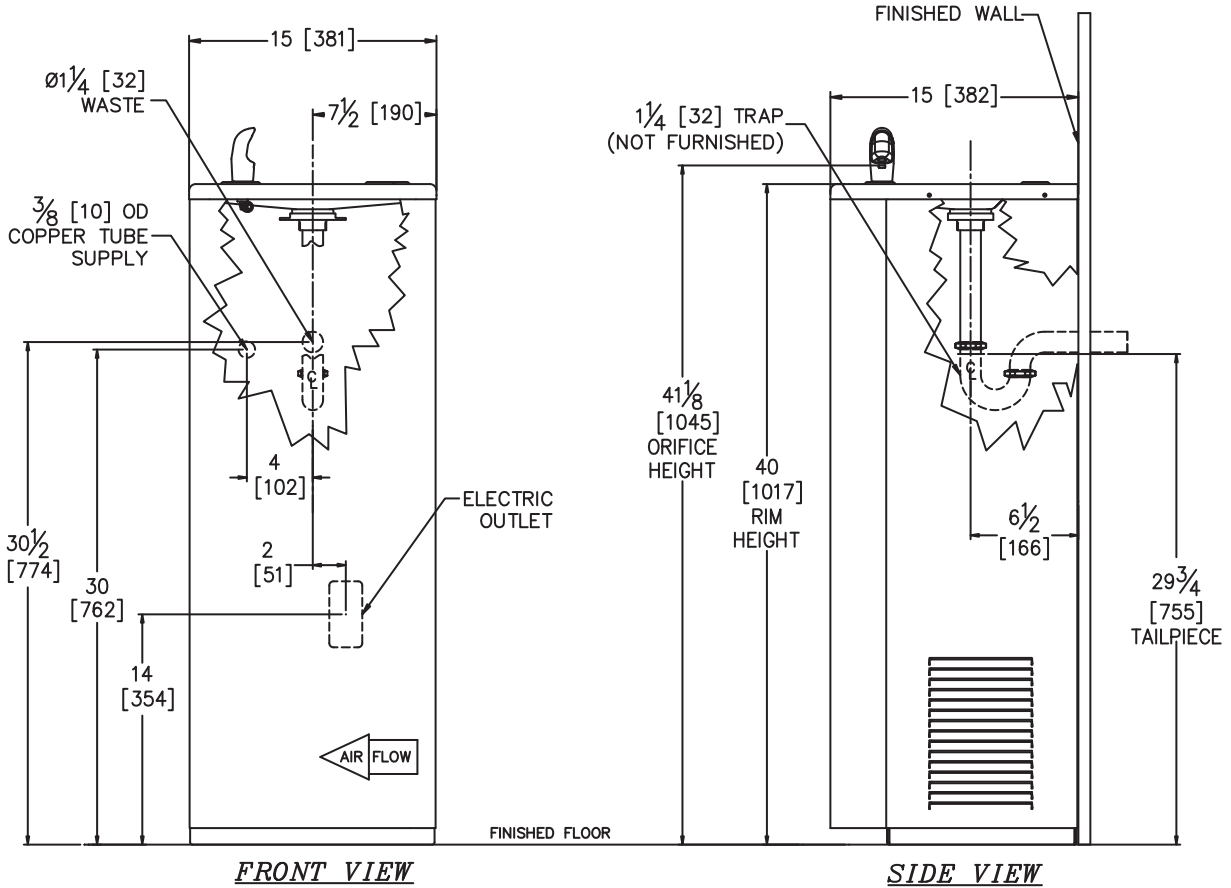


TECHNICAL DIMENSIONS

All dimensions are nominal and subject to manufacturer's change without notice. Acorn Aqua™ assumes no responsibility for use of void or suspended data. © 2009 Acorn Aqua™, a Division of Acorn Engineering Company. Please visit www.acornaqua.com for most current specifications.

Standard Model:
A611108F

Stainless Steel Model:
A611408F



GENERAL NOTES:

1. ALL DIMENSIONS ARE IN INCHES [MM]
2. ALLOW 4 INCHES [102 MM] MINIMUM CLEARANCE PER SIDE FOR VENTILATION
3. STOP VALVE, TRAP, & ELECTRICAL OUTLET NOT SUPPLIED.

AquaCold Free Standing Water Cooler, 8 GPH

Rough-in # **A611108F** Rev. B 8/1/09

Five Year Limited Warranty- (Continental United States and Canada Only) The following components are warranted for five years: Compressor, Condenser Coil and Refrigeration Coil. The following components shall only be warranted for a period of one year: Evaporator Can Assembly, Thermostat, Fan Motor, Cartridge, Push Buttons, Compressor Starting Relay/Overload/Capacitor and Activation Linkage. Other parts are warranted for one (1) year from date of installation.
Limited Export Warranty- One (1) year on parts only.

SELECTION SUMMARY & APPROVAL FOR MANUFACTURING

Company _____

Model Number & Options _____ Quantity _____

Contact _____ Title _____

Signature (Approval for Manufacturing) _____

Date _____



800-591-9360
626-336-4561
www.acornaqua.com