



□ **G1721** WideArea™ Eye/Face Wash, Wall Mounted, Stainless Steel Bowl and Skirt



APPLICATION: WideArea™ eye/face wash for wall mounting. Welded stainless steel bowl and wraparound skirt conceal valve, drain and piping. Ideal for laboratories and other areas where clean, uncluttered appearance is desired. Four GS-Plus™ spray-type outlet heads deliver a flood of water over a wide area of coverage for complete rinsing of eyes and face.

SPRAY HEAD ASSEMBLY: Four GS-Plus™ spray heads. Each head has a “flip top” dust cover, internal flow control and filter to remove impurities from the water flow.

VALVE: 1/2" IPS brass stay-open ball valve. Valve is US-made with chrome plated brass ball and Teflon® seals.

BOWL: 11 1/2" stainless steel with stainless steel wraparound skirt.

MOUNTING: Bowl and skirt unit has welded stainless steel bracket for wall mounting.

SUPPLY: 1/2" NPT female inlet.

WASTE: 1 1/4" NPT female outlet.

SIGN: ANSI-compliant identification sign.

QUALITY ASSURANCE: Unit is completely assembled and water tested prior to shipment.

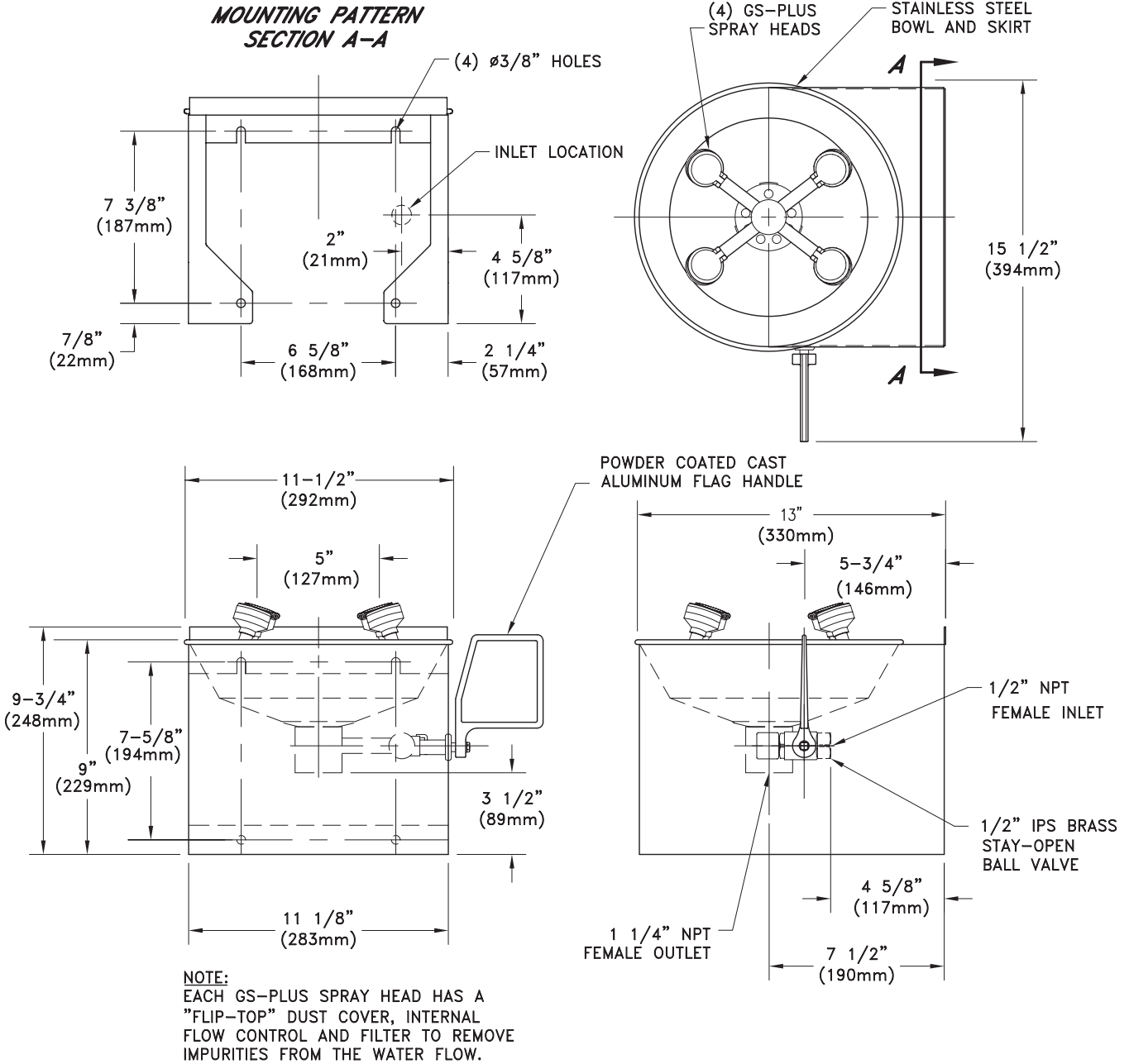
Available Options

- **DC** Stainless steel dust cover for each spray head.
- **HS** Auxiliary hand-held drench hose for rinsing eyes, face or body.
- **SC** Self-closing ball valve. *Note: Eye/face washes with self-closing valves do not comply with ANSI Z358.1 - 2004.*
- **T** Chrome plated brass tailpiece and trap with 1 1/2" IPS waste connection.
- **TP** 1 1/2" OD chrome plated brass tailpiece.
- **TMV** G3600 thermostatic mixing valve precisely blends hot and cold water to deliver warm (tepid) water as required by ANSI Z358.1-2004. Refer to “Tempering Units” section for complete technical and product selection information.





□ G1721 WideArea™ Eye/Face Wash, Wall Mounted, Stainless Steel Bowl and Skirt



THIS SPACE FOR ARCHITECT/ENGINEER APPROVAL

Due to continuing product improvement, the information contained in this document is subject to change without notice. All dimensions are $\pm 1/4$ " (6mm). rev. 0308

Sign Included

