



**T&S BRASS AND BRONZE WORKS, INC.**  
 2 SADDLEBACK COVE / P.O. BOX 1088 / TRAVELERS REST, SC 29690  
 PHONE 800-476-4103 FAX 864-834-3518



Model No.

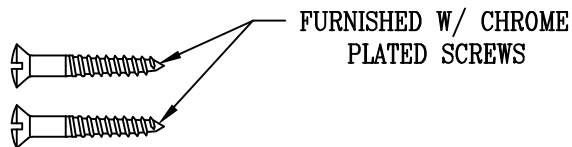
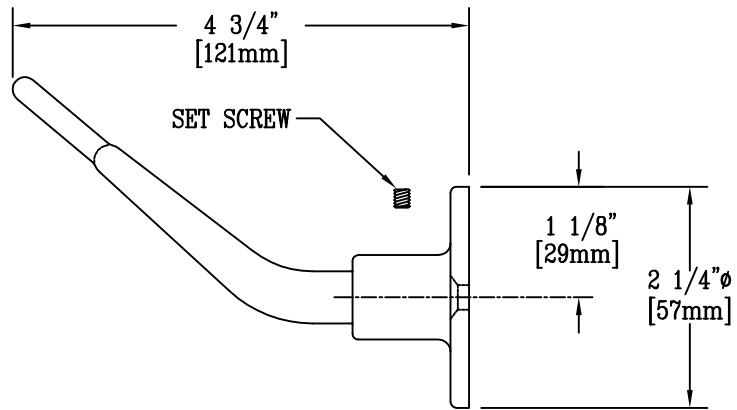
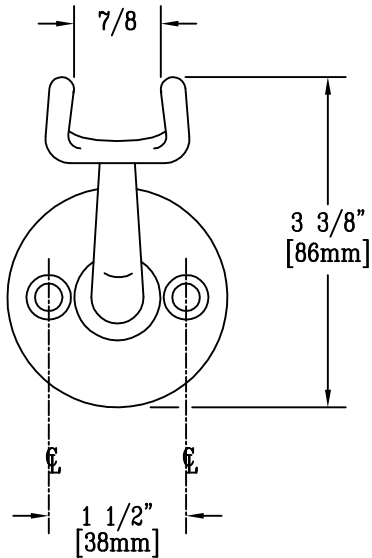
B-0166

Item No.:

Job Name:

Architect/Engineer Approval:

Notes:



Product Description:

HANGER HOOK ASSEMBLY

Drawn:

DHL

Checked

MAV

Scale:

2:1

Approved

JHB

Date:

04/05/07