

CHICAGO FAUCETS



2100 SOUTH CLEARWATER DRIVE
DES PLAINES, ILLINOIS 60018-5999

Last As Long As The Building

FITTING NO.

769-COLD

SUBMITTED MODEL NO.

JOB NAME

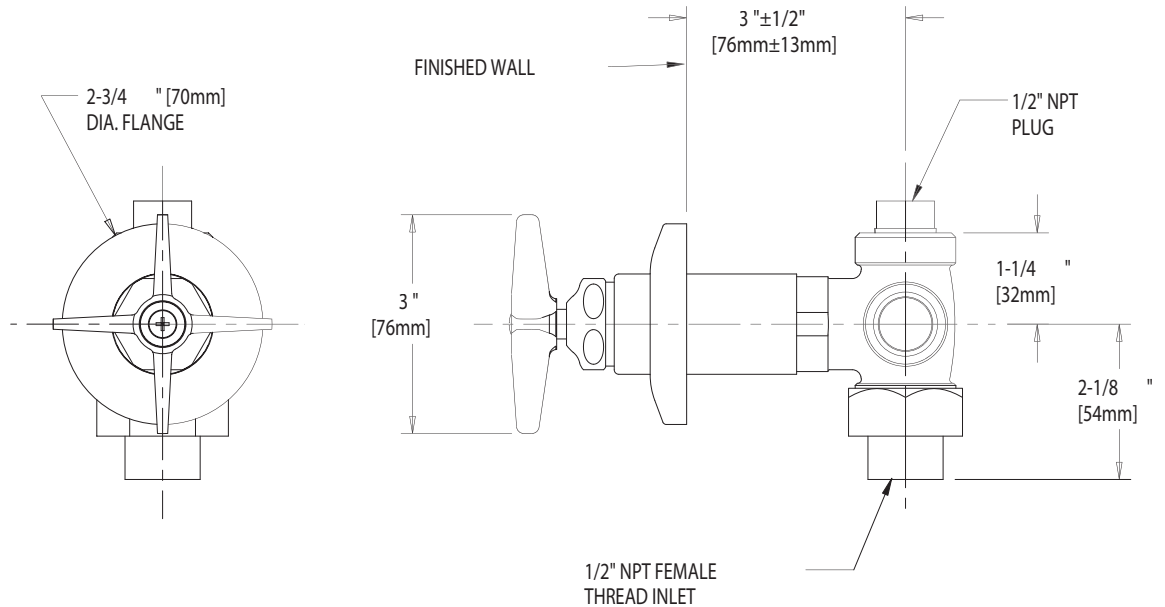
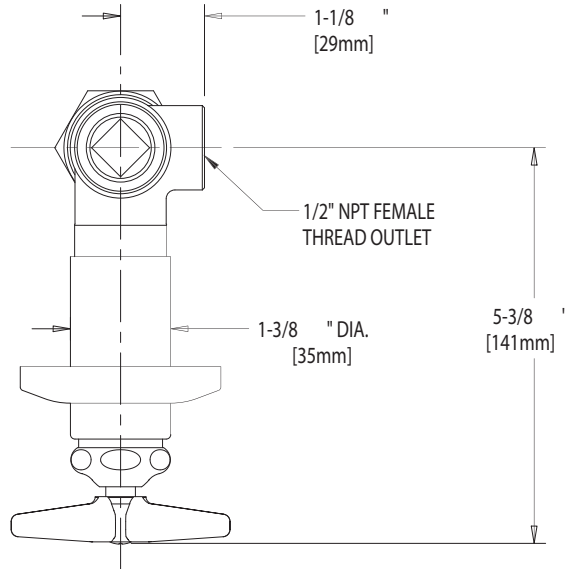
ITEM NO.

SUBMITTED AS SHOWN

SUBMITTED AS NOTED

SEE ATTACHED FOR
SUBMITTED MODIFICATION

IS ASSUMED FOR USE OF SUPERCEDED OR VOIDED DATA.



ROUGHING IN DIMENSIONS MAY VARY AND ARE SUBJECT TO CHANGE. NO RESPONSIBILITY

DIMENSIONS IN INCHES AND [MILLIMETERS].

TECHNICAL DATA

- BUILT-IN WALL VALVE-ANGLE
- CONCEALED ANGLE BYPASS VALVE
- 633 COLD INDEXED CROSS HANDLE
- SLO-COMPRESSION CARTRIDGE
- FINISH: CHROME PLATE

- ASME A112.18.1M COMPLIANT
- CSA B125 COMPLIANT

DATE: 05-13-02

BY: SID

CHK'D:

APP'D:

REV: A

769-COLD