



T&S BRASS AND BRONZE WORKS, INC.

2 Saddleback Cove / P.O. Box 1088
Travelers Rest, SC 29690



REG. #A2601
ISO #9001

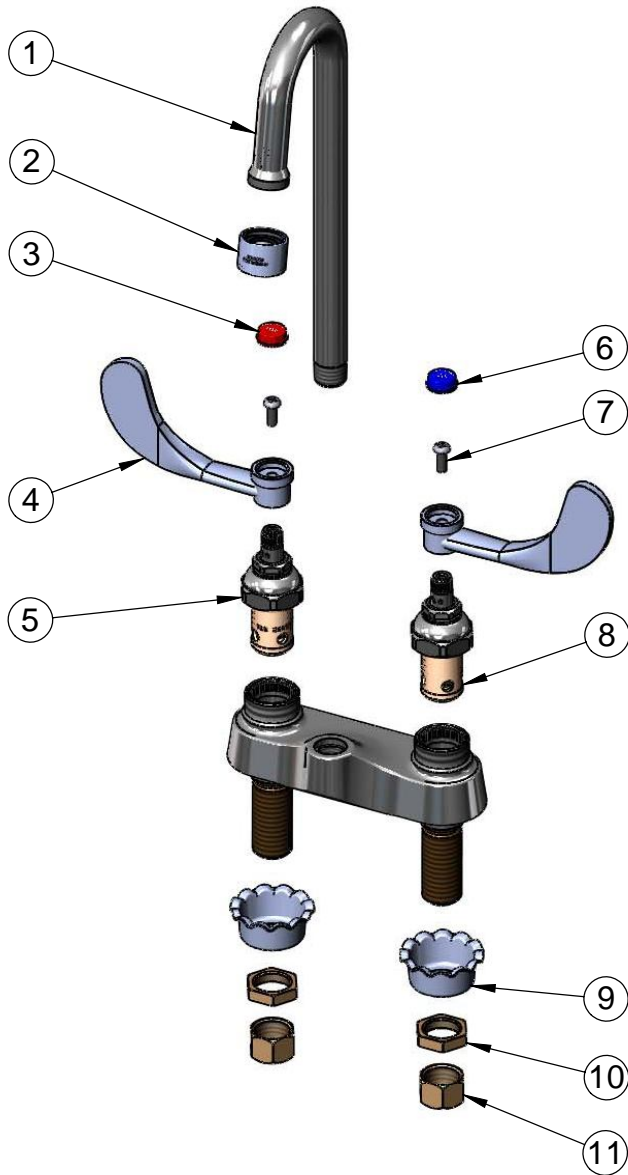
Model No.

B-0892-VF05

Item No.

Travelers Rest, SC: 800-476-4103 Simi Valley, CA: 800-423-0150 Fax: 864-834-3518 www.tsbrass.com

| ITEM NO. | SALES NO. | DESCRIPTION |
|----------|-------------|---------------------------------|
| 1 | 005028-40 | Gooseneck |
| 2 | B-0199-32VR | 0.5 GPM VR Spray Device |
| 3 | 001194-45 | Red HW Index |
| 4 | B-WH4 | 4" Wrist Action Handle |
| 5 | 006010-40 | Spindle Assembly, Eterna "Hot" |
| 6 | 001686-45 | Blue CW Index |
| 7 | 000925-45 | Lab Handle Screw |
| 8 | 006009-40 | Spindle Assembly, Eterna "Cold" |
| 9 | 001000-45 | Rosette Washer |
| 10 | 002954-45 | Shank Lock Nut |
| 11 | 000958-20 | Coupling Nut |



Q015425-45
Vandal Resistant Key
(Included with Spray Device)

Product Specifications:

4" Centerset Mixing Faucet w/ 1/2" NPSM Shanks Eterna Cartridges, 4" Wrist Action Handles, Rigid Gooseneck & 0.5 GPM Vandal Resistant Non-Aerated Spray Device

| | | |
|----------------------|-----------------------|--------------------------|
| Drawn DMH | Checked GEF | Approved JHB |
| Scale: 1:4 | | Date: 02/04/10 |