



T&S BRASS AND BRONZE WORKS, INC.

2 Saddleback Cove / P.O. Box 1088
Travelers Rest, SC 29690



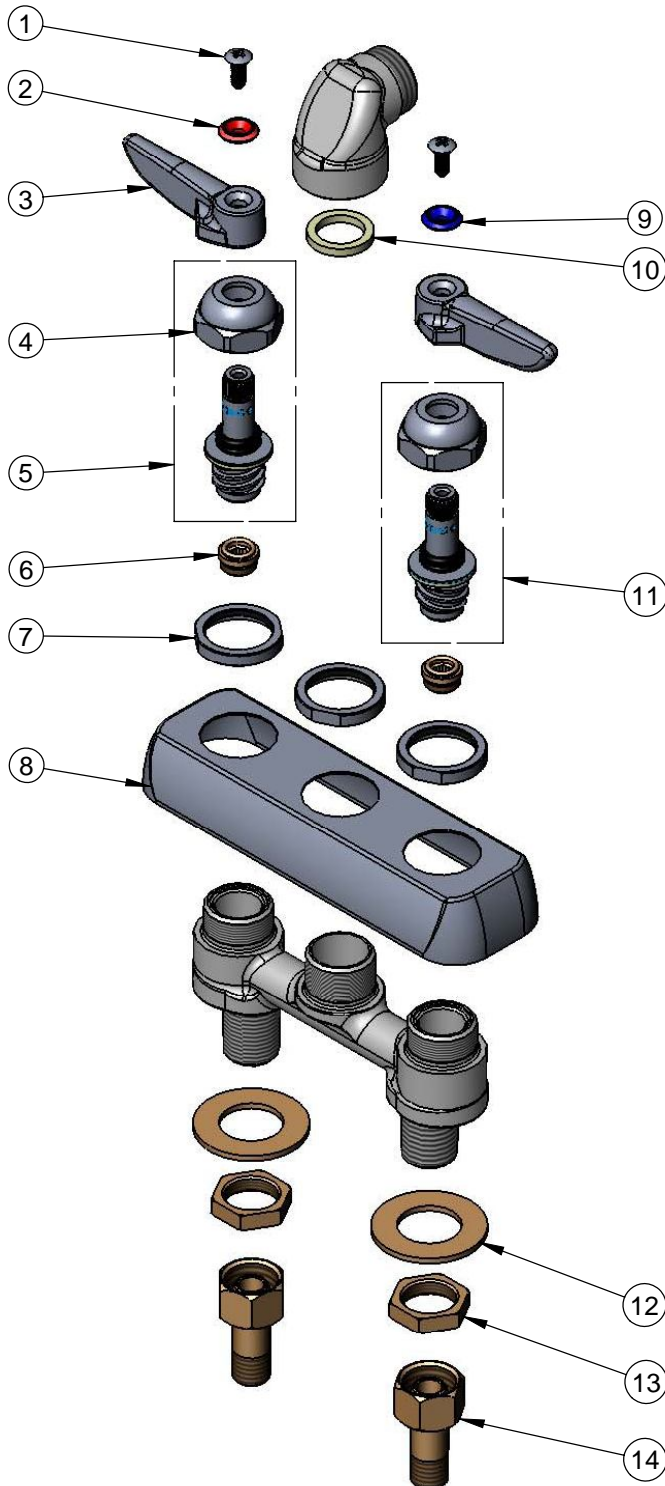
REG. #A2601
ISO #9001

Model No.

B-1105-LN

Item No.

Travelers Rest, SC: 800-476-4103 Simi Valley, CA: 800-423-0150 Fax: 864-834-3518 www.tsbrass.com



| ITEM | PART NO. | DESCRIPTION |
|------|-----------|--------------------------------|
| 1 | 000922-45 | Lever Handle Screw |
| 2 | 001661-45 | Red Index-HW |
| 3 | 001638-45 | Lever Handle |
| 4 | 009749-25 | Bonnet Nut |
| 5 | 009753-25 | B-1100 RH Spindle Assembly |
| 6 | 000763-20 | Seat |
| 7 | 000712-25 | Escutcheon Lock Nut |
| 8 | 001258-40 | Escutcheon |
| 9 | 001660-45 | Blue Index-CW |
| 10 | 001017-45 | Washer |
| 11 | 009754-25 | B-1100 LH Spindle Assembly |
| 12 | 000999-45 | Brass Lock Washer |
| 13 | 002954-45 | Shank Lock Nut |
| 14 | 150A | Bag of (1) Nut & (1) Tailpiece |

Product Specifications:

3 1/2" Inlet Centers Wall Mount Workboard Faucet Less Nozzle
w/ Lever Handles & 1/2" NPT Male Inlets

| | | |
|----------------------|-----------------------|--------------------------|
| Drawn KJG | Checked DHL | Approved JHB |
| Scale: NTS | | Date: 09/29/08 |