

SPEAKMAN®

SE-609

COMBINATION SHOWER & EYE/FACE WASH

DESCRIPTION

The SE-609 Safe-T-Zone® freeze protected combination unit features the SE-400 eye/face wash with six aerated sprays and rectangular stainless steel bowl combined on a powder coated galvanized steel stanchion with an impeller action deluge showerhead. Supplies activated by frost-proof hydrants.

SPECIFICATIONS

Showerhead: 8" diameter Cyclac® yellow plastic
Flow Control: Internal 20 gpm regulator
Frost Proof Valve: 1 1/2" NPT female brass
Standard Bury Depth: 42"
Activator: Push handle
Stanchion: 1 1/4" IPS galvanized steel
Waste: 1/4" NPT female
Performance: 20 gpm @ 20 psi (flowing)
Finish: Dura Jade powder coated finish

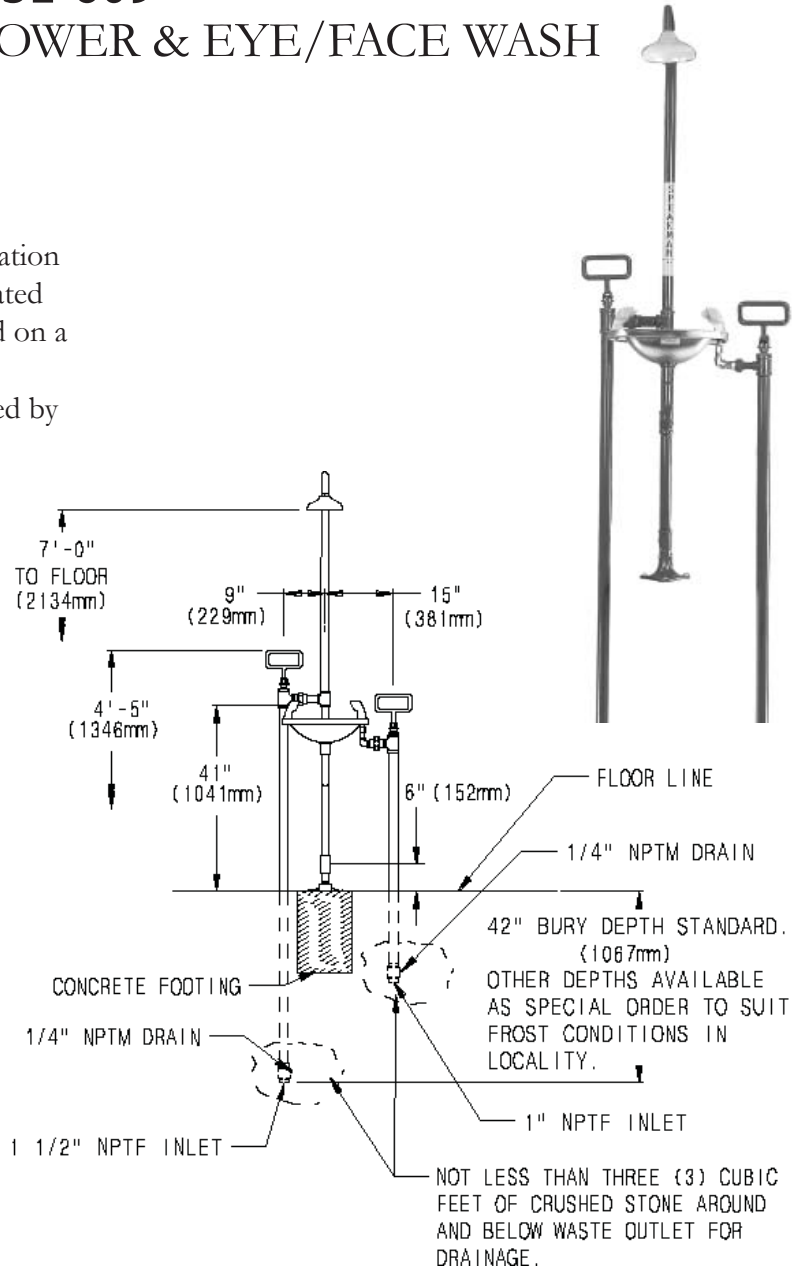
EYE/FACE WASH: SE-400

Bowl: 300 series stainless steel
Spray Heads: (6) brass, chrome-plated aerated
Frost Proof Valve: 1" NPT female brass
Standard Bury Depth: 42"
Activator: Push handle
Shrouds: Yellow polypropylene
Performance: 9.6 gpm @ 30 psi
Compliance: ANSI Z358.1
Universal Emergency Sign Included

NOTE: The maximum "static" pressure allowable for this unit is 80psi

OPTIONS

- FLW2 Flow switches (2 Required)
- SSH Stainless steel showerhead
- BH Chrome plated brass showerhead



Job Name _____
Location _____
Architect/Engineer _____
Sales Representative _____
Wholesaler _____
Date _____ Model # _____