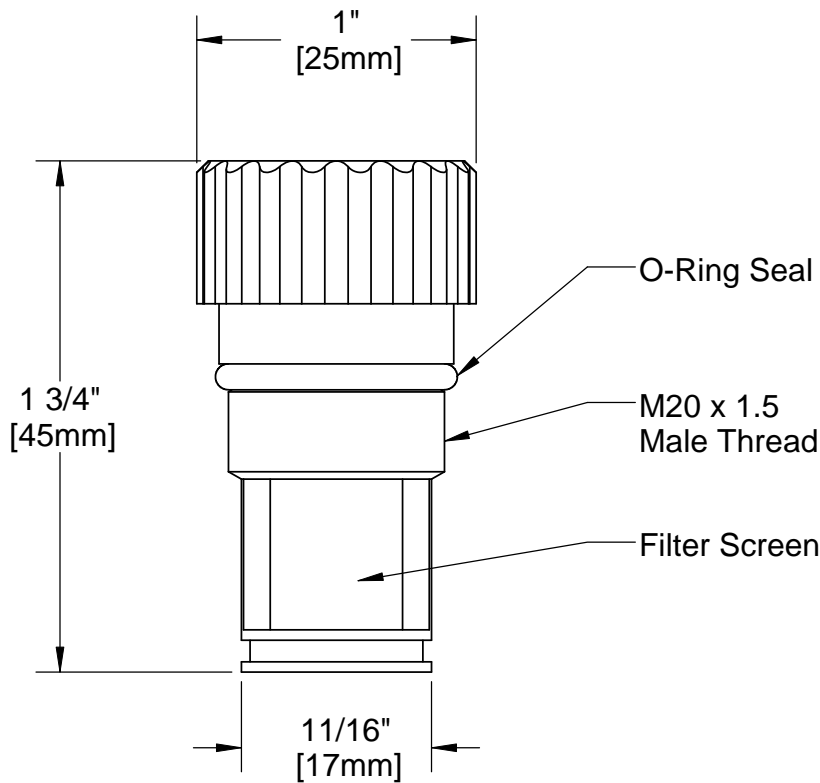


This Space for Architect/Engineer Approval

Job Name _____ Date _____
 Model Specified _____ Quantity _____
 Customer/Wholesaler _____
 Contractor _____
 Architect/Engineer _____



Model Number 5EF-FILTER	Date 3/30/09	Scale 3:2	Drawn GEF	Checked JRM	Approved JHB
----------------------------	-----------------	--------------	--------------	----------------	-----------------

Product Specifications:

Equip Replacement Control Module Filter



equip Foodservice Accessories
 2 Saddleback Cove, P.O. Box 1088
 Travelers Rest, South Carolina 29690
 Phone: 800.891.4808 Fax: 800.868.0084

REG. #A2601
 ISO #9001