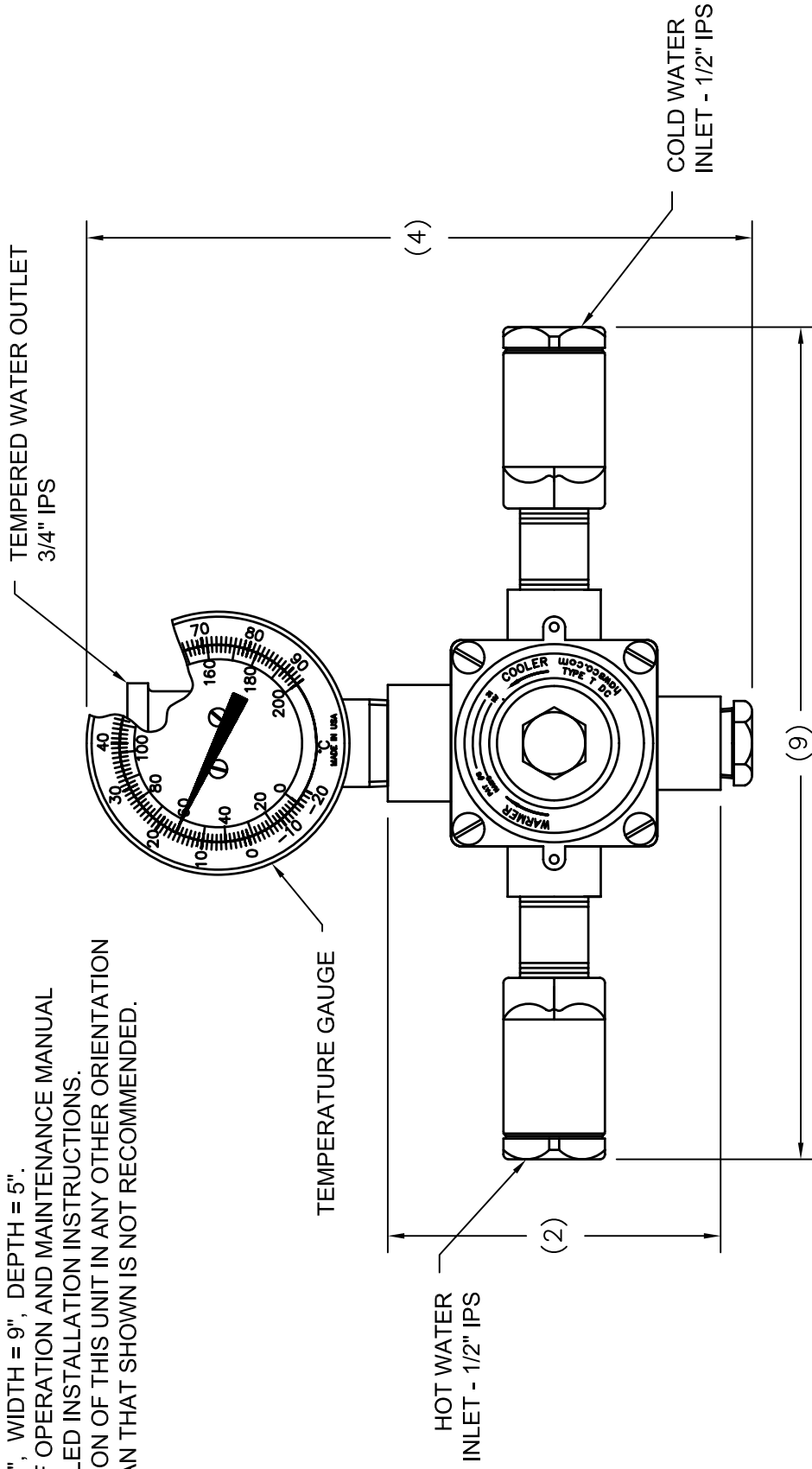


NOTES:

1. THERMOSTATIC MIXING VALVE TO SUPPLY TEMPERED WATER FROM 2 TO 7 GPM @ 30 PSI.
2. FACTORY OUTLET FLOW SET AT 85° F.
3. INLETS 1/2" IPS, OUTLET 3/4" IPS.
4. OVERALL VALVE BODY REF. DIMENSIONS: HEIGHT = 4", WIDTH = 9", DEPTH = 5".
5. SEE 9201EF OPERATION AND MAINTENANCE MANUAL FOR DETAILED INSTALLATION INSTRUCTIONS.
6. INSTALLATION OF THIS UNIT IN ANY OTHER ORIENTATION OTHER THAN THAT SHOWN IS NOT RECOMMENDED.



1455 KLEPPE LANE
SPARKS, NEVADA 89431
(775) 359-4712 FAX (775) 359-7424
E-MAIL: HAWS@HAWS.CO.COM
WEBSITE: WWW.HAWS.CO.COM

REV. NO.	REV. DATE	REV. BY	REV. DATE	REV. BY
3948	03/16/08	HM	03/16/08	HM
APPROVED:	DATE:	SCALE:	INFO FAX DOC #:	DRAWING TYPE:
		NA	2920133	INSTALLATION/FABRICATION
PART NUMBER: 0002076177.D			SHEET: 1 OF 1	
DRAWING NUMBER: 15304A00			SIZE: A	