



Water Coolers

SEMI-RECESSED DRINKING FOUNTAIN

F200PM

Suggested Specification

Model F200PM is a non-refrigerated, semi-recessed stainless steel drinking fountain for direct connection to a cold water supply or for use with remote water chillers. Cabinet shall be brushed stainless steel. Shall be listed by Underwriters' Laboratories to U.S. and Canadian standards and conform to European Union Directives.

Model

F200PM is a non-refrigerated, semi-recessed stainless steel drinking fountain for direct connection to a cold water supply or for use with remote water chillers.

Standard Features

- > Waterways are Lead-Free in Materials & Construction
- > Built-in Pressure Regulator Assures Smooth, Steady Water Flow
- > Satin Finish Stainless Steel Surfaces
- > Bottom Cover Plate
- > Product Certified to NSF/ANSI Standard 61, Annex G (AB1953)
- > Limited 1-Year Warranty

Finishes

- > Standard Cabinet Finish: Stainless Steel
- > Optional Cabinet Finish at extra cost: Regency Bronze

Installation

- > Prior to roughing-in, consult local, state and federal codes for proper mounting height.
- > Shipped with complete instructions.



Components in this fountain are lead free as defined by the Safe Drinking Water Act Amendments of 1986, and the Lead Contamination Control Act of 1988.

Limited 1-Year Warranty (Continental limits of the United States and Canada): One year from date of installation on parts only.

Export Warranty: One year on component parts.

Product Certified to NSF/ANSI Standard 61, Annex G (weighted average lead content of $\leq 0.25\%$) and is in compliance with California's Health & Safety Code Section 116875 (commonly known as AB1953).

Models covered by this specification comply with all known Plumbing Codes. Listed by Underwriters' Laboratories to U.S. and Canadian standards and conform to European Union Directives.



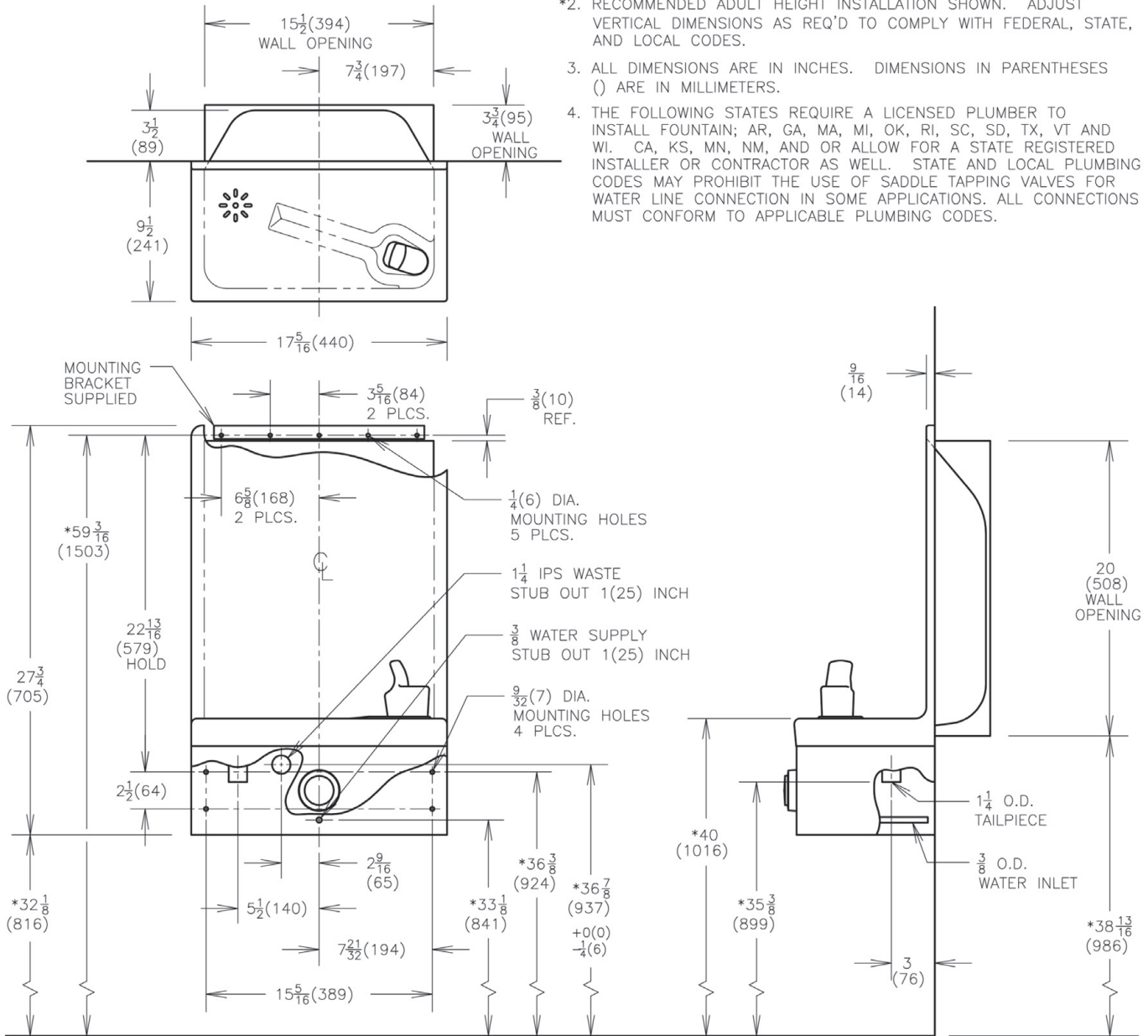
Certified to NSF/ANSI 61-G

Physical Dimensions In Inches						
Model	Style	Height	Width	Depth	Extended From Wall	Recessed Into Wall
F200PM	Semi-recessed	27 3/4"	17 5/16"	13"	9 1/2"	3 1/2"

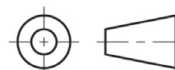
OASIS™ SEMI-RECESSED DRINKING FOUNTAIN MODEL F200PM

NOTES:

1. TRAP AND STOP VALVE NOT FURNISHED.
- *2. RECOMMENDED ADULT HEIGHT INSTALLATION SHOWN. ADJUST VERTICAL DIMENSIONS AS REQ'D TO COMPLY WITH FEDERAL, STATE, AND LOCAL CODES.
3. ALL DIMENSIONS ARE IN INCHES. DIMENSIONS IN PARENTHESES () ARE IN MILLIMETERS.
4. THE FOLLOWING STATES REQUIRE A LICENSED PLUMBER TO INSTALL FOUNTAIN; AR, GA, MA, MI, OK, RI, SC, SD, TX, VT AND WI. CA, KS, MN, NM, AND OR ALLOW FOR A STATE REGISTERED INSTALLER OR CONTRACTOR AS WELL. STATE AND LOCAL PLUMBING CODES MAY PROHIBIT THE USE OF SADDLE TAPPING VALVES FOR WATER LINE CONNECTION IN SOME APPLICATIONS. ALL CONNECTIONS MUST CONFORM TO APPLICABLE PLUMBING CODES.



THIRD ANGLE PROJECTION



ROUGHING-IN AND DIMENSIONAL DRAWING